
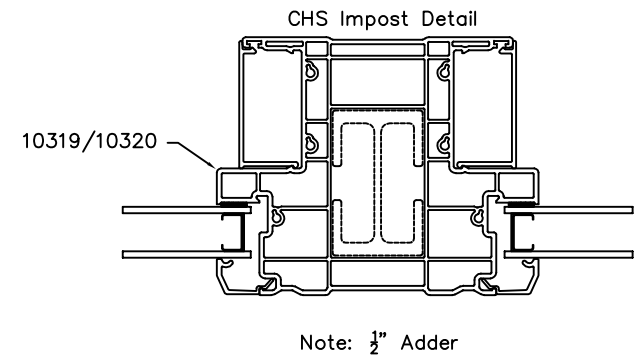
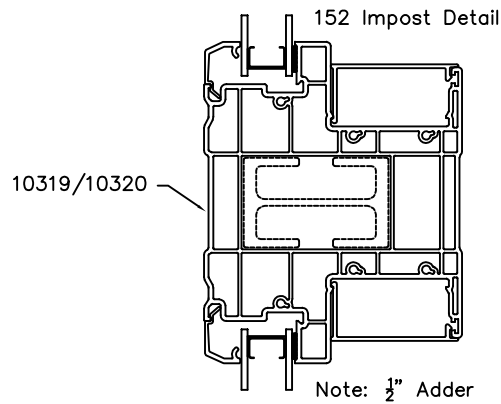
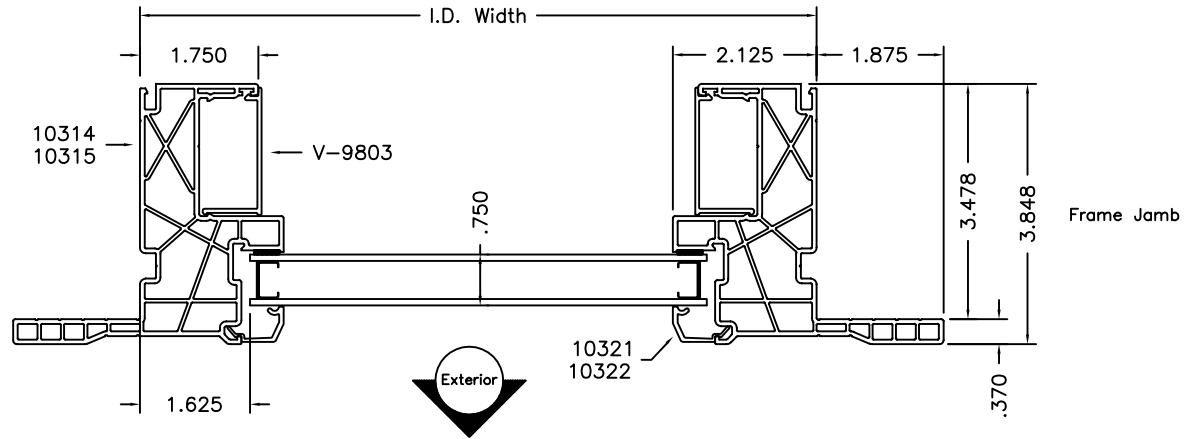
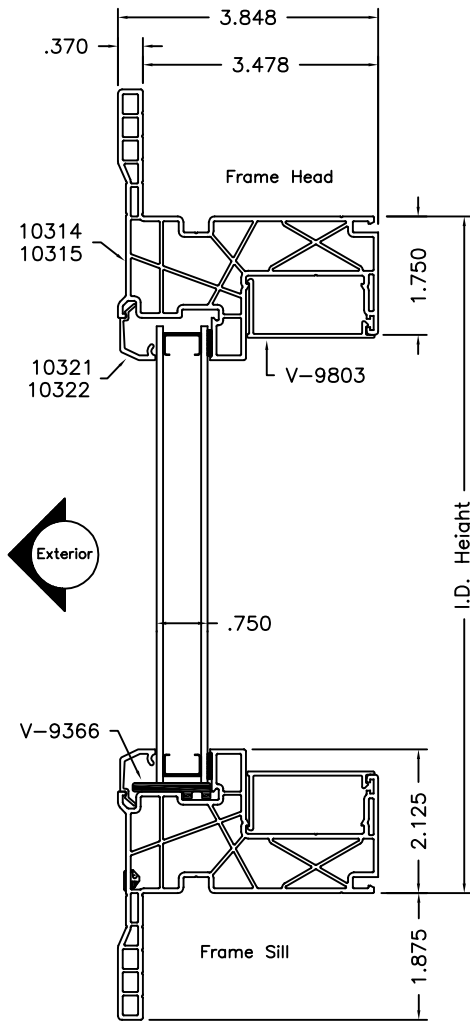

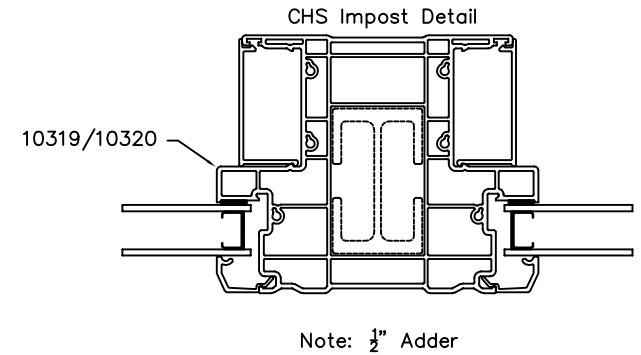
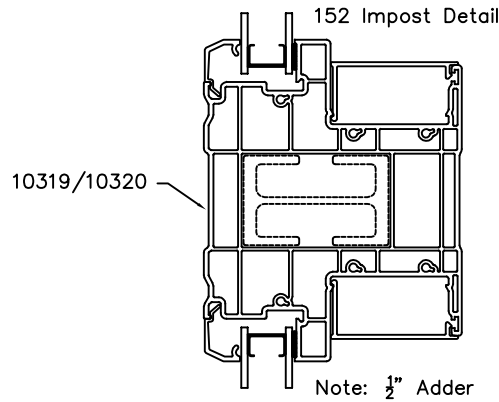
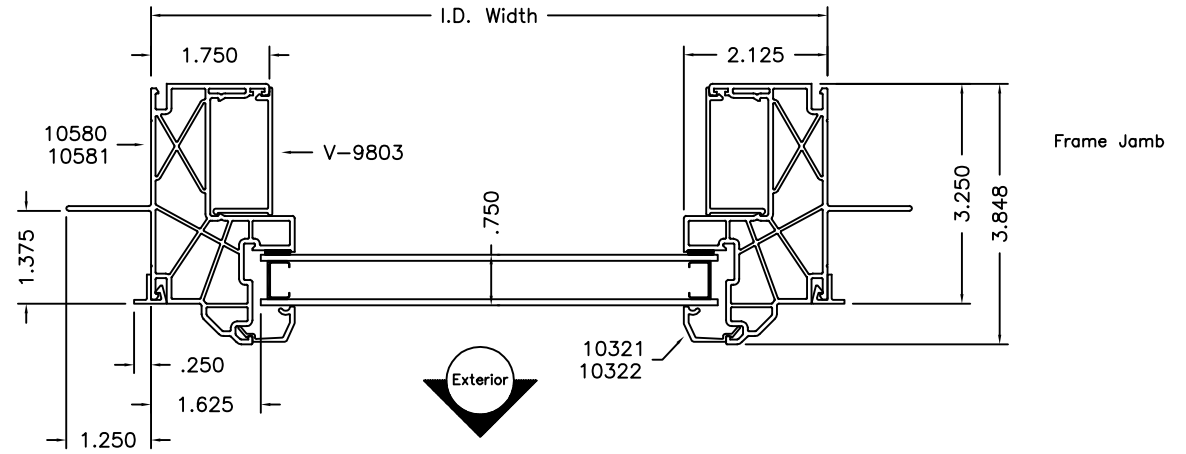
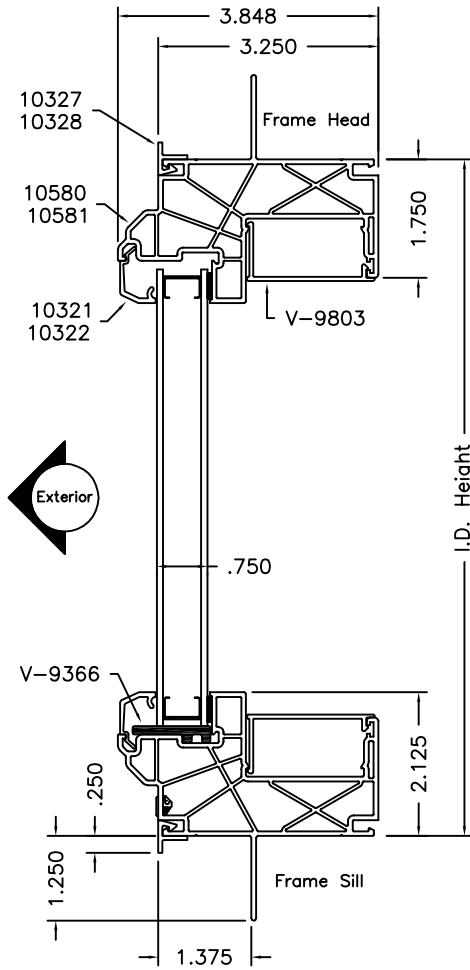



				MATERIAL: FINISH: UNSPECIFIED WALL: AREA: WEIGHT: PERIMETER:		 MILGARD WINDOWS & DOORS 1010 54th Ave E, Fife, WA 98424	DESCRIPTION: Cross Sectional Drawing Finless Frame	
				BREAK ALL CORNERS R.015, UNLESS OTHERWISE SPECIFIED			The information, design or data shown on this document or electronic media is the exclusive property of MI Windows and Doors, LLC. It is considered confidential and proprietary and is made available for limited use only. Its use or reproduction without the expressed written consent of MI Windows and Doors, LLC., is prohibited.	PRODUCT: V450 SCALE: HHalf DFTM: T.C.
LTR	ECN #	REVISIONS	DATE	BY				

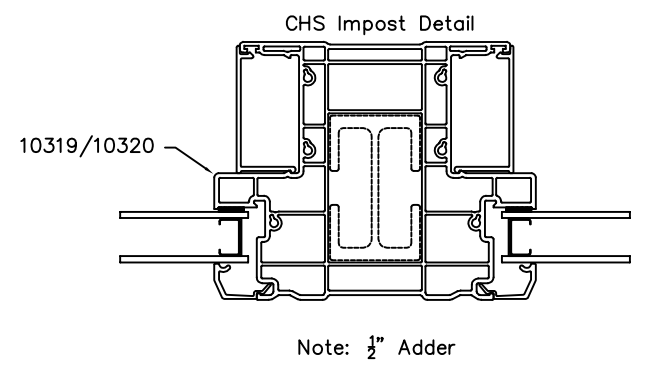
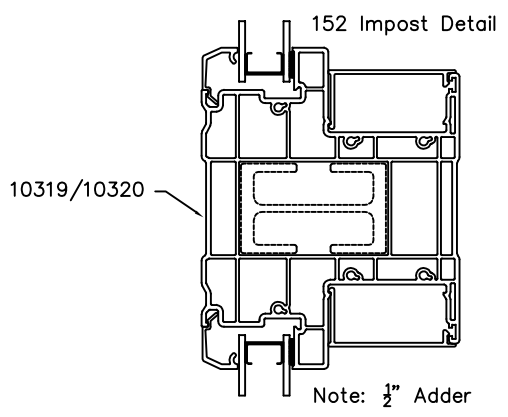
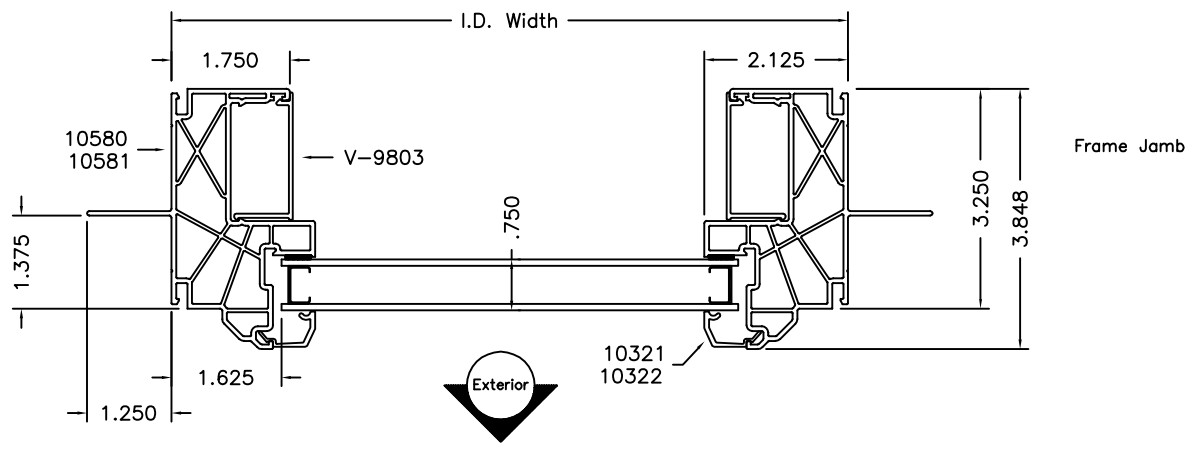
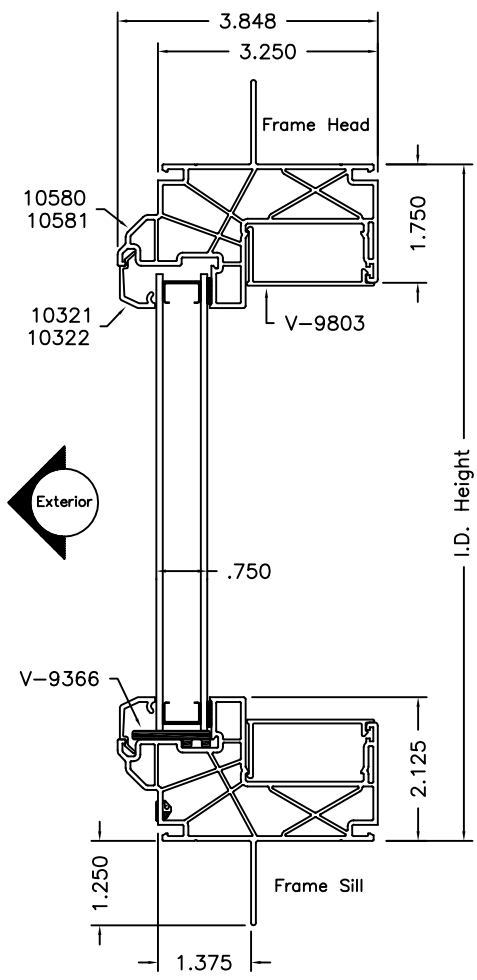



				MATERIAL:		 MILGARD WINDOWS & DOORS 1010 54th Ave E, Fife, WA 98424	DESCRIPTION: Cross Sectional Drawing Flange	
				FINISH:			PRODUCT: V450	
				AREA:			SCALE: Half	
				WEIGHT:			PART NUMBER:	
				PERIMETER:			DATE: 11/19/13	
LTR	ECN #	REVISIONS	DATE	BY	UNSPECIFIED WALL: BREAK ALL CORNERS R.015, UNLESS OTHERWISE SPECIFIED		DRAWING NUMBER: CS-000329	

The information, design or data shown on this document or electronic media is the exclusive property of Mil Windows and Doors, LLC. It is considered confidential and proprietary and is made available for limited use only. Its use or reproduction without the expressed written consent of Mil Windows and Doors, LLC., is prohibited.



				MATERIAL: FINISH: UNSPECIFIED WALL: AREA: WEIGHT: BREAK ALL CORNERS R.015, UNLESS OTHERWISE SPECIFIED PERIMETER:		 MILGARD WINDOWS & DOORS 1010 54th Ave E, Fife, WA 98424		DESCRIPTION: Cross Sectional Drawing 1 3/8" Fin Setback, with Stucco Key	
						PRODUCT: V450		DATE: 11/19/13	
						SCALE: Half		PART NUMBER:	
						DFTM: T.C.		DRAWING NUMBER: CS-000328	
LTR	ECN #	REVISIONS	DATE	BY					



				MATERIAL: FINISH: UNSPECIFIED WALL: AREA: WEIGHT: PERIMETER:		 MILGARD WINDOWS & DOORS 1010 54th Ave E, Fife, WA 98424		DESCRIPTION: Cross Sectional Drawing 1 3/8" Fin Setback	
				BREAK ALL CORNERS R.015, UNLESS OTHERWISE SPECIFIED		The information, design or data shown on this document or electronic media is the exclusive property of Mil Windows and Doors, LLC. It is considered confidential and proprietary and is made available for limited use only. Its use or reproduction without the expressed written consent of Mil Windows and Doors, LLC., is prohibited.		PRODUCT: V450 SCALE: Half DFTM: T.C.	
						DATE: 11/19/13		PART NUMBER: DRAWING NUMBER: CS-000327	
LTR	ECN #	REVISIONS	DATE	BY					

