
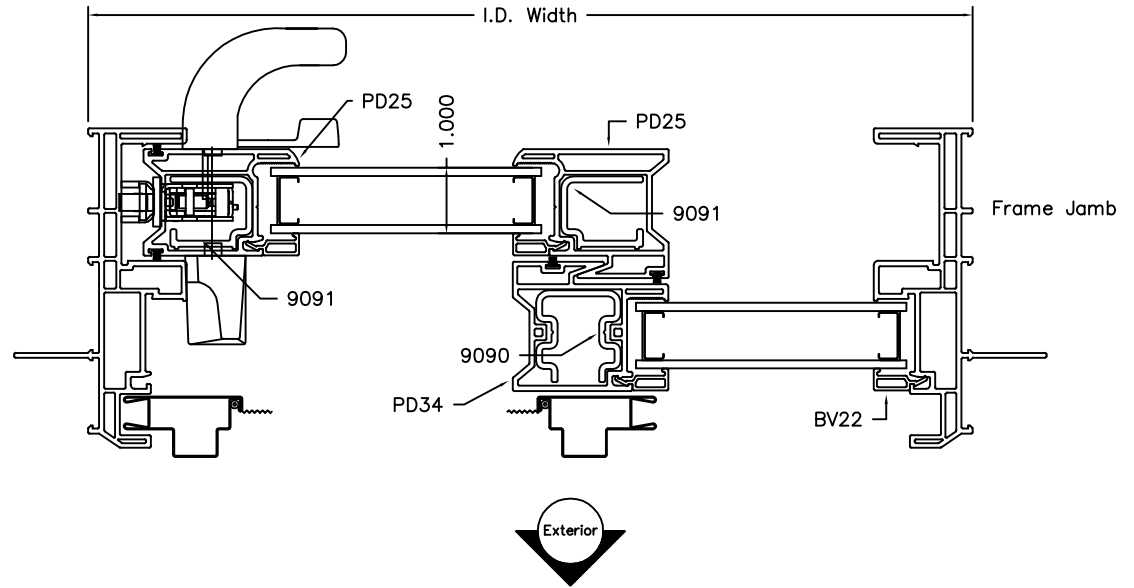
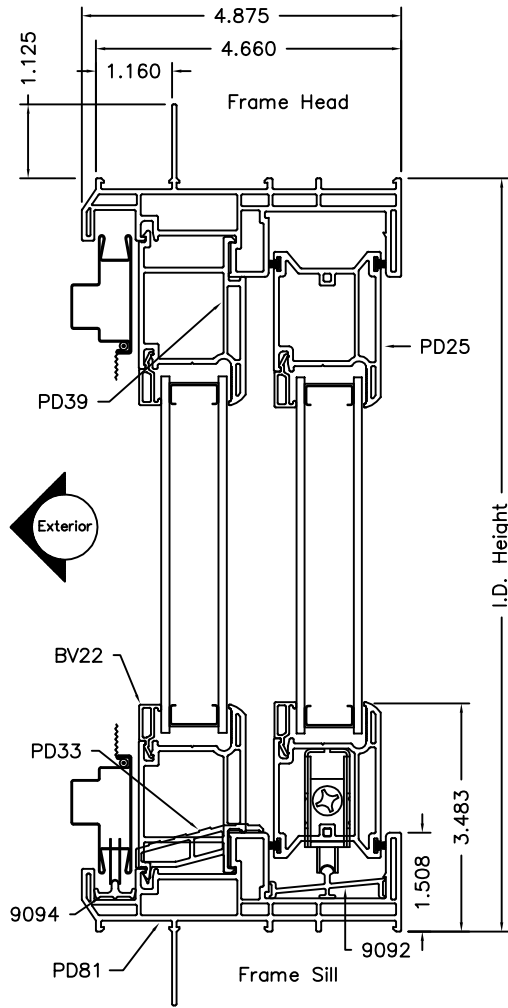


XO Shown, OX Opposite


Code Size	I.D. Size	Rough Opening
5-0 x 6-8	59 1/2" x 79 1/2"	60" x 80"
6-0 x 6-8	71 1/2" x 79 1/2"	72" x 80"
8-0 x 6-8	95 1/2" x 79 1/2"	96" x 80"
5-0 x 8-0	59 1/2" x 95 1/2"	60" x 96"
6-0 x 8-0	71 1/2" x 95 1/2"	72" x 96"
8-0 x 8-0	95 1/2" x 95 1/2"	96" x 96"

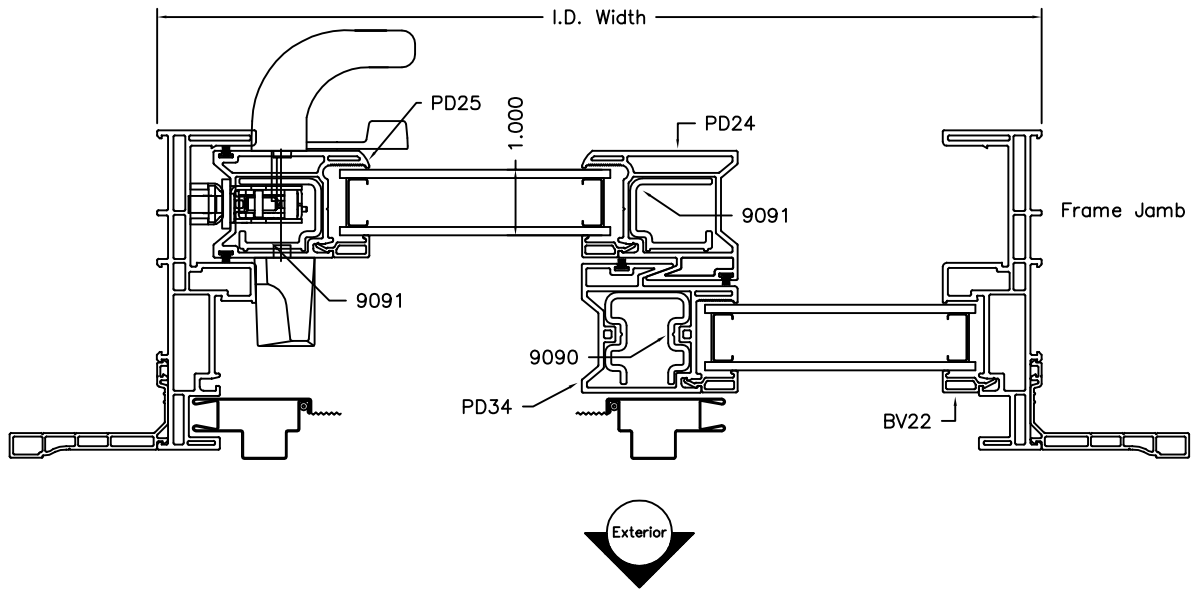
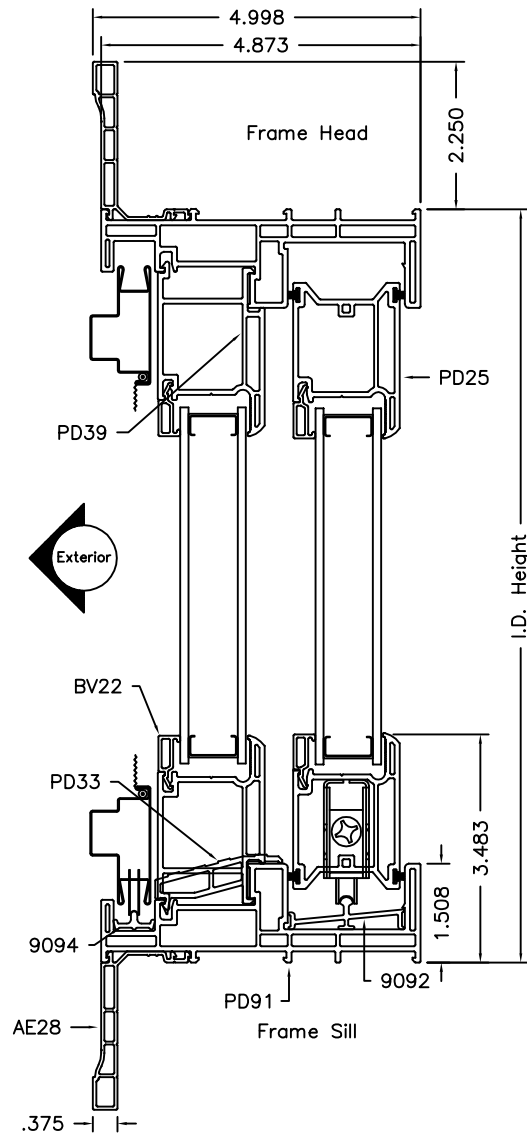
				MATERIAL:		 <b>MILGARD WINDOWS &amp; DOORS</b> 1010 54th Ave E, Fife, WA 98424	DESCRIPTION: Cross Sectional Drawing 2-Panel, 1 3/8" Fin Setback	
				FINISH:			PRODUCT: 390 S.G.D. DATE: 04/15/96	
				AREA:			SCALE: Half PART NUMBER:	
				WEIGHT:			DFTM: BLS DRAWING NUMBER: CS-000053	
				PERIMETER:		UNSPECIFIED WALL:  BREAK ALL CORNERS R.015, UNLESS OTHERWISE SPECIFIED		
E	039A-15	Revised panel roller track shown	03/25/15	T.C.	The information, design or data shown on this document or electronic media is the exclusive property of MI Windows and Doors, LLC. It is considered confidential and proprietary and is made available for limited use only. Its use or reproduction without the expressed written consent of MI Windows and Doors, LLC., is prohibited.			
LTR	ECN #	REVISIONS	DATE	BY				



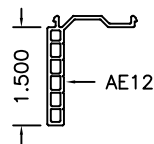
XO Shown, OX Opposite

Code Size	I.D. Size	Rough Opening
5-0 x 6-8	59 1/2" x 79 1/2"	60" x 80"
6-0 x 6-8	71 1/2" x 79 1/2"	72" x 80"
8-0 x 6-8	95 1/2" x 79 1/2"	96" x 80"
5-0 x 8-0	59 1/2" x 95 1/2"	60" x 96"
6-0 x 8-0	71 1/2" x 95 1/2"	72" x 96"
8-0 x 8-0	95 1/2" x 95 1/2"	96" x 96"


				<b>MATERIAL:</b> FINISH: AREA: WEIGHT: PERIMETER:		<b>UNSPECIFIED WALL:</b>  BREAK ALL CORNERS R.015, UNLESS OTHERWISE SPECIFIED		 <b>MILGARD WINDOWS &amp; DOORS</b> 1010 54th Ave E, Fife, WA 98424		<b>DESCRIPTION:</b> Cross Sectional Drawing 2-Panel, 1" Fin Setback	
						The information, design or data shown on this document or electronic media is the exclusive property of MI Windows and Doors, LLC. It is considered confidential and proprietary and is made available for limited use only. Its use or reproduction without the expressed written consent of MI Windows and Doors, LLC., is prohibited.		<b>PRODUCT:</b> 390 S.G.D.		<b>DATE:</b> 04/15/96	
<b>E</b> <b>039A-15</b> Revised panel roller track shown    03/25/15    T.C.						<b>SCALE:</b> Half		<b>PART NUMBER:</b>			
<b>LTR</b> <b>ECN #</b> REVISIONS    DATE    BY						<b>DFTM:</b> BLS		<b>DRAWING NUMBER:</b> CS-000054			

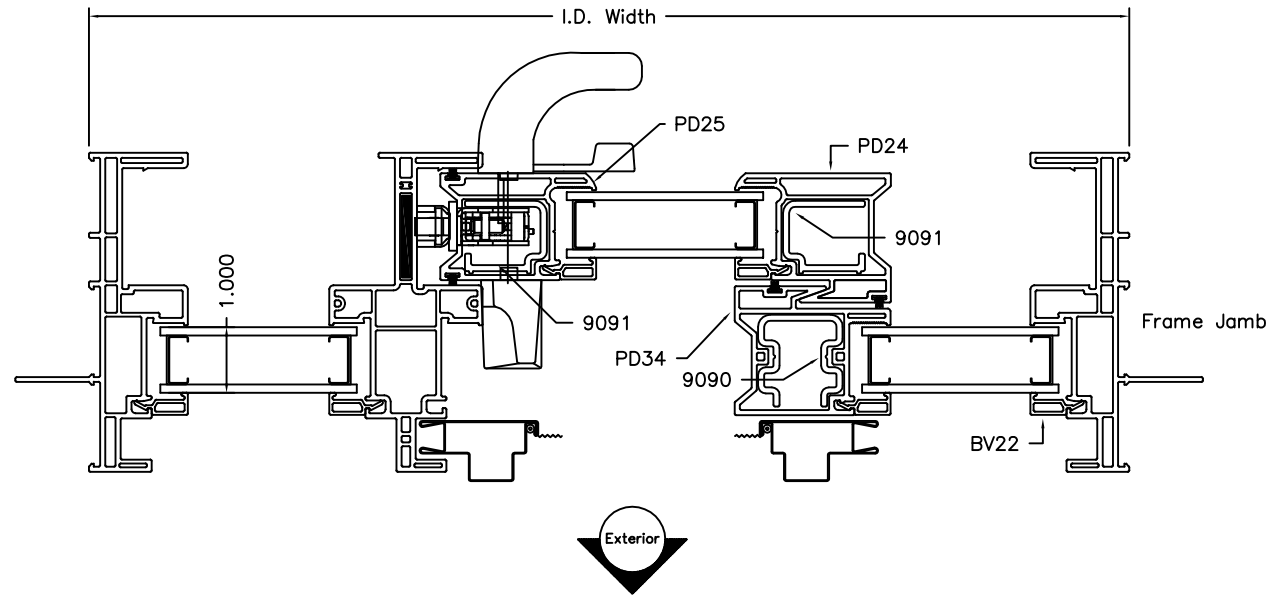
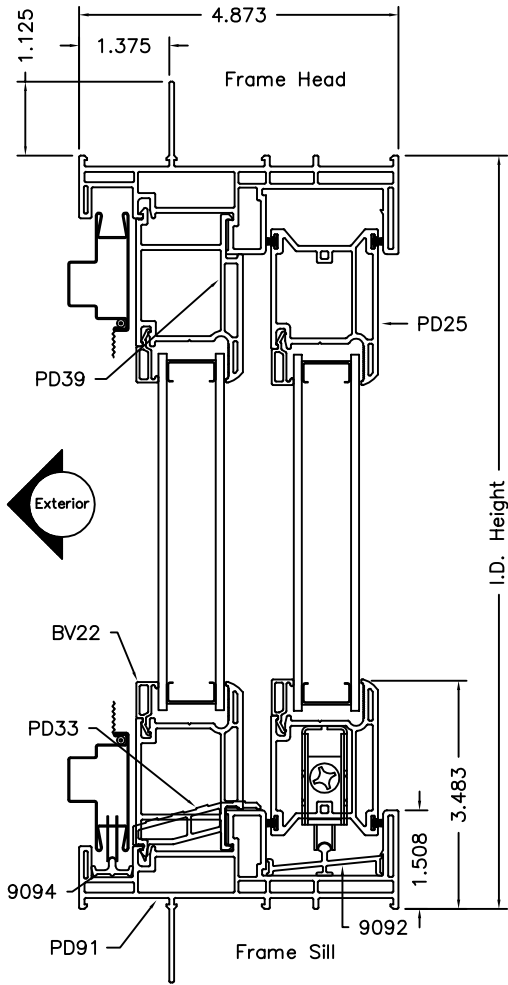


XO Shown, OX Opposite



Code Size	I.D. Size	Rough Opening
5-0 x 6-8	59 1/2" x 79 1/2"	60" x 80"
6-0 x 6-8	71 1/2" x 79 1/2"	72" x 80"
8-0 x 6-8	95 1/2" x 79 1/2"	96" x 80"
5-0 x 8-0	59 1/2" x 95 1/2"	60" x 96"
6-0 x 8-0	71 1/2" x 95 1/2"	72" x 96"
8-0 x 8-0	95 1/2" x 95 1/2"	96" x 96"

				<b>MATERIAL:</b> FINISH: UNSPECIFIED WALL: AREA: WEIGHT: PERIMETER:		 <b>MILGARD WINDOWS &amp; DOORS</b> 1010 54th Ave E, Fife, WA 98424		<b>DESCRIPTION:</b> Cross Sectional Drawing 2-Panel, Flange (Flush Fin)	
E 039A-15 Revised panel roller track shown 03/25/15 T.C.				BREAK ALL CORNERS R.015, UNLESS OTHERWISE SPECIFIED		The information, design or data shown on this document or electronic media is the exclusive property of MI Windows and Doors, LLC. It is considered confidential and proprietary and is made available for limited use only. Its use or reproduction without the expressed written consent of MI Windows and Doors, LLC., is prohibited.		PRODUCT: 390 S.G.D. DATE: 04/15/96	
LTR ECN # REVISIONS DATE BY						SCALE: Half PART NUMBER:		DFTM: BLS DRAWING NUMBER: CS-000054	



0-XO Shown, OX-0 Opposite

NOM. DOOR WIDTH	ACTUAL DOOR WIDTH
7'-6"	88 1/4"
9'-0"	106 1/4"
12'-0"	142 1/4"

B	039A-15	Revised panel roller track shown	03/25/15	T.C.	
LTR	ECN #	REVISIONS	DATE	BY	

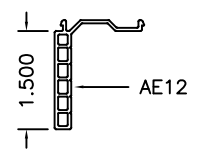
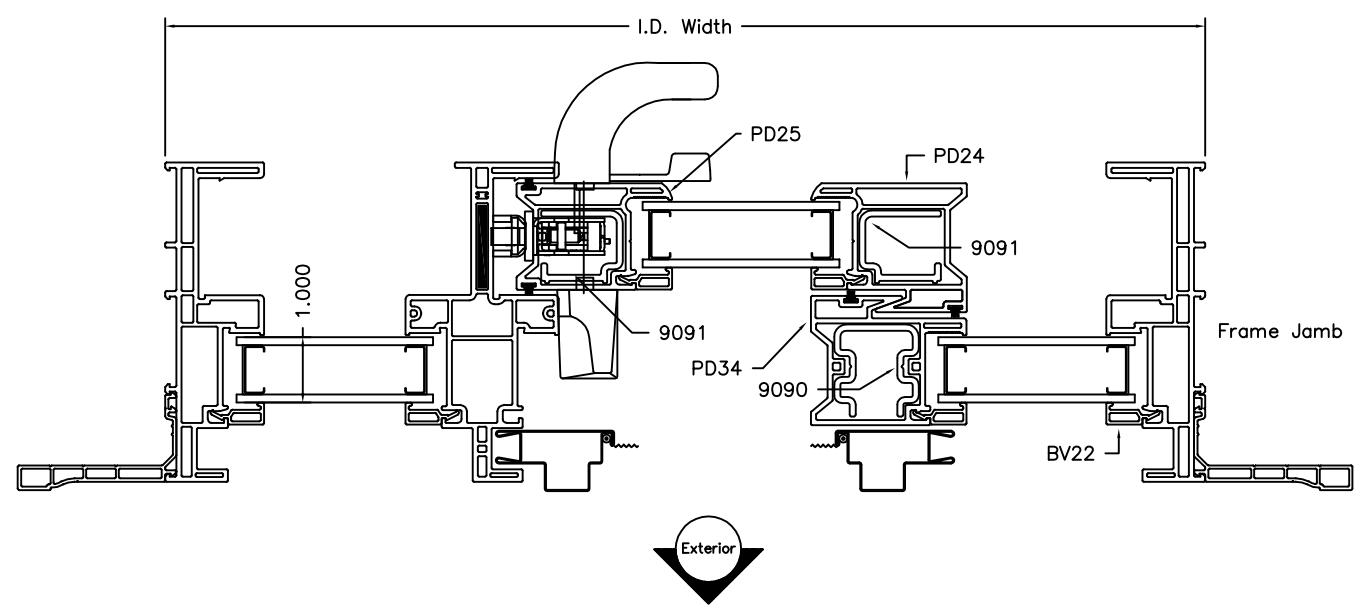
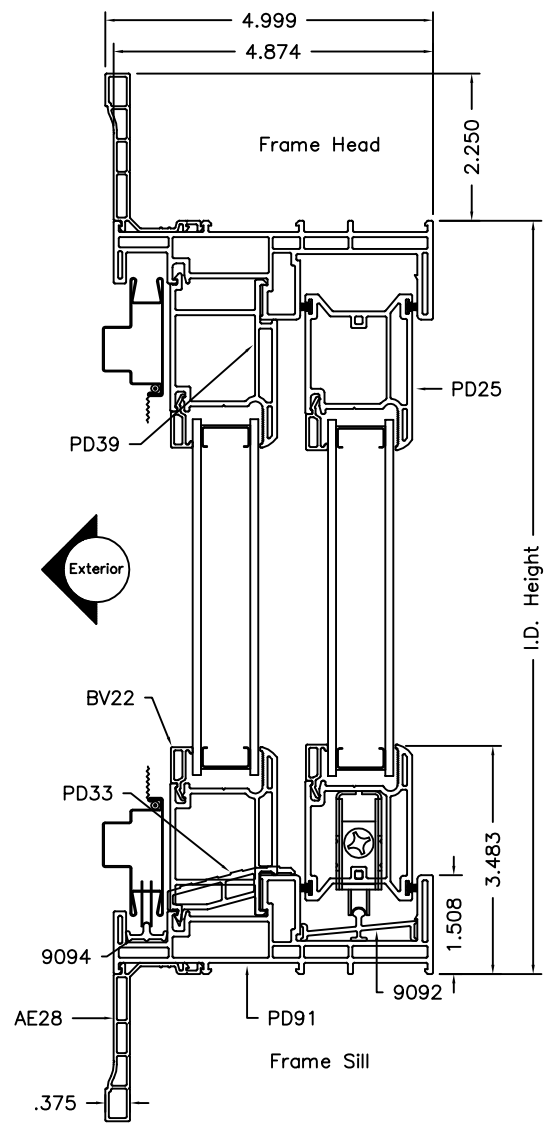
MATERIAL:	
FINISH:	UNSPECIFIED WALL:
AREA:	
WEIGHT:	BREAK ALL CORNERS R.015, UNLESS OTHERWISE SPECIFIED
PERIMETER:	

**MILGARD** WINDOWS & DOORS  
 1010 54th Ave E, Fife, WA 98424

The information, design or data shown on this document or electronic media is the exclusive property of MI Windows and Doors, LLC. It is considered confidential and proprietary and is made available for limited use only. Its use or reproduction without the expressed written consent of MI Windows and Doors, LLC., is prohibited.

DESCRIPTION: Cross Sectional Drawing 3-Panel, 1 3/8" Fin Setback	
PRODUCT: 390 S.G.D.	DATE: 11/17/98
SCALE: Half	PART NUMBER:
DFTM: T.C.	DRAWING NUMBER: CS-000056





O-XO Shown, OX-O Opposite

NOM. DOOR WIDTH	ACTUAL DOOR WIDTH
7'-6"	88 1/4"
9'-0"	106 1/4"
12'-0"	142 1/4"

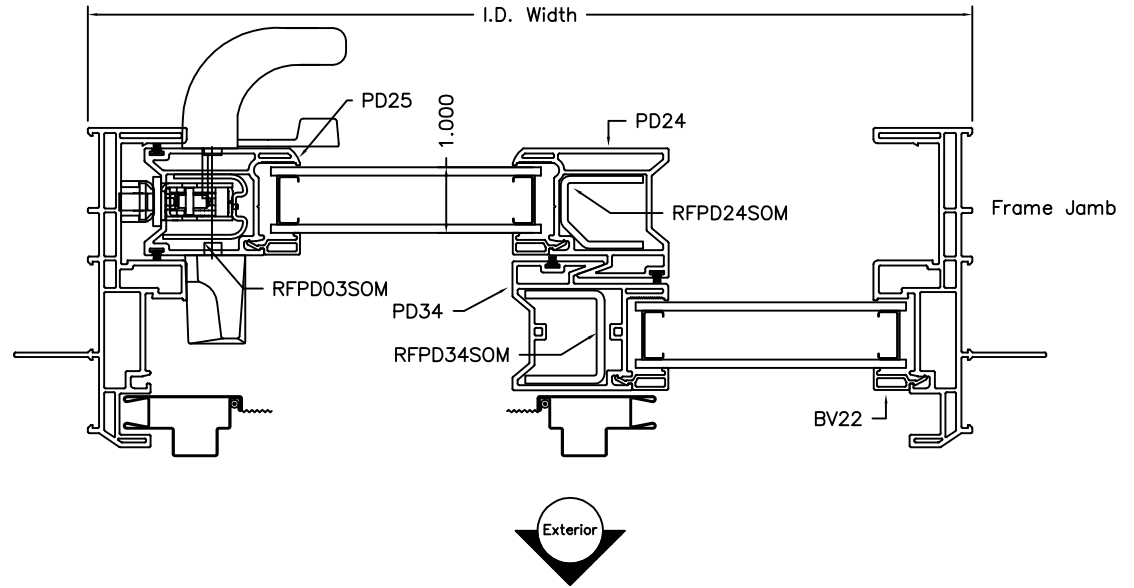
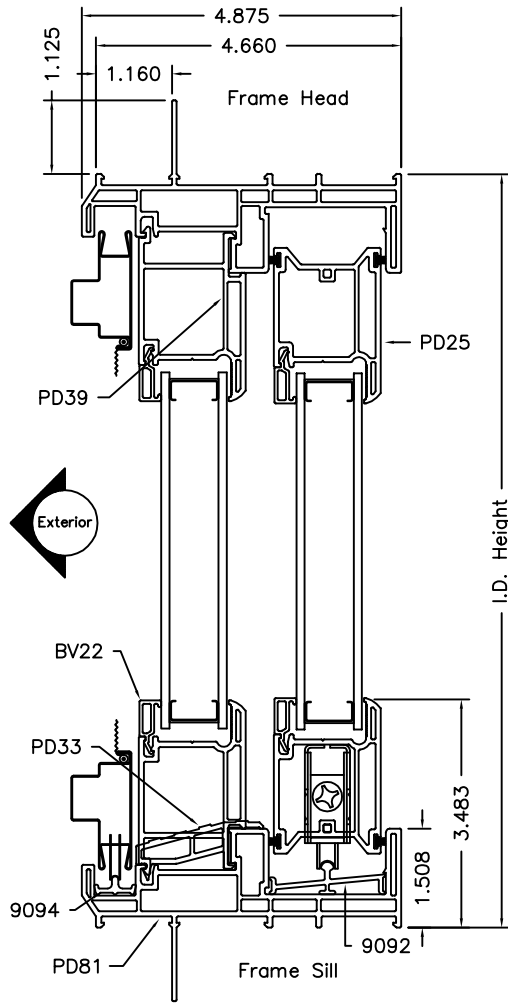
				<b>MATERIAL:</b> <b>FINISH:</b> <b>AREA:</b> <b>WEIGHT:</b> <b>PERIMETER:</b>		<b>MILGARD WINDOWS &amp; DOORS</b> 1010 54th Ave E, Fife, WA 98424  The information, design or data shown on this document or electronic media is the exclusive property of MI Windows and Doors, LLC. It is considered confidential and proprietary and is made available for limited use only. Its use or reproduction without the expressed written consent of MI Windows and Doors, LLC., is prohibited.	<b>DESCRIPTION:</b> Cross Sectional Drawing 3-Panel, Flange	
				<b>UNSPECIFIED WALL:</b>  <b>BREAK ALL CORNERS R.015, UNLESS OTHERWISE SPECIFIED</b>			<b>PRODUCT:</b> 390 S.G.D. <b>DATE:</b> 11/17/98	
<b>B</b> 039A-15 Revised panel roller track shown 03/25/15 T.C.							<b>SCALE:</b> Half <b>PART NUMBER:</b>	
<b>LTR</b> <b>ECN #</b> <b>REVISIONS</b> <b>DATE</b> <b>BY</b>							<b>DFTM:</b> T.C. <b>DRAWING NUMBER:</b> CS-000058	







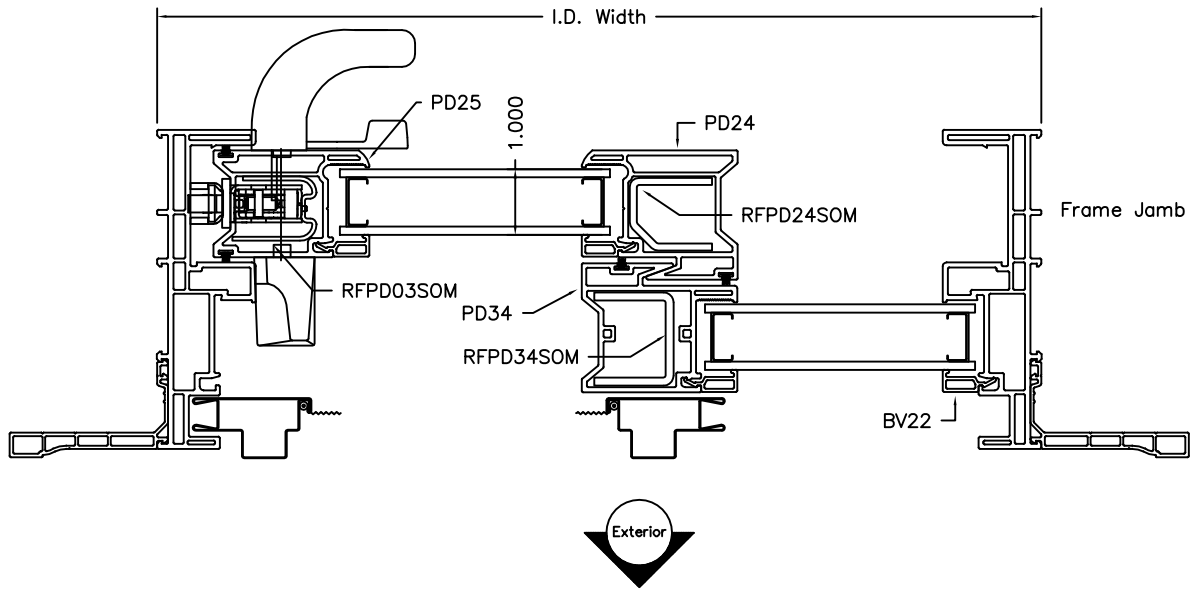
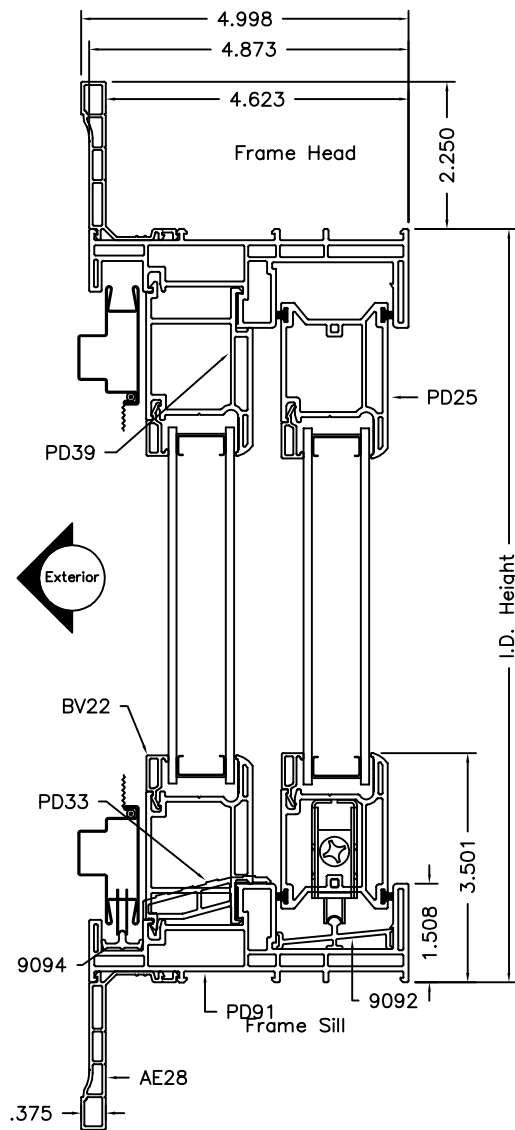




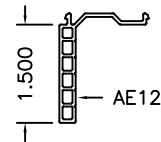
XO Shown, OX Opposite

Code Size	I.D. Size	Rough Opening
5-0 x 6-8	59 1/2" x 79 1/2"	60" x 80"
6-0 x 6-8	71 1/2" x 79 1/2"	72" x 80"
8-0 x 6-8	95 1/2" x 79 1/2"	96" x 80"
5-0 x 8-0	59 1/2" x 95 1/2"	60" x 96"
6-0 x 8-0	71 1/2" x 95 1/2"	72" x 96"
8-0 x 8-0	95 1/2" x 95 1/2"	96" x 96"

				<b>MATERIAL:</b> FINISH: UNSPECIFIED WALL AREA: WEIGHT: PERIMETER:		<b>MILGARD WINDOWS &amp; DOORS</b> 1010 54th Ave E, Fife, WA 98424	<b>DESCRIPTION:</b> Cross Sectional Drawing 2-Panel, 1" Fin Setback	
				BREAK ALL CORNERS R.015, UNLESS OTHERWISE SPECIFIED			<b>PRODUCT:</b> 390HP S.G.D. <b>DATE:</b> 03/21/13	
A	039A-15	Revised panel roller track shown	03/25/15	T.C.	The information, design or data shown on this document or electronic media is the exclusive property of MI Windows and Doors, LLC. It is considered confidential and proprietary and is made available for limited use only. Its use or reproduction without the expressed written consent of MI Windows and Doors, LLC., is prohibited.		SCALE: Half	PART NUMBER:
LTR	ECN #	REVISIONS	DATE	BY			DFTM: T.C.	DRAWING NUMBER: CS-000063

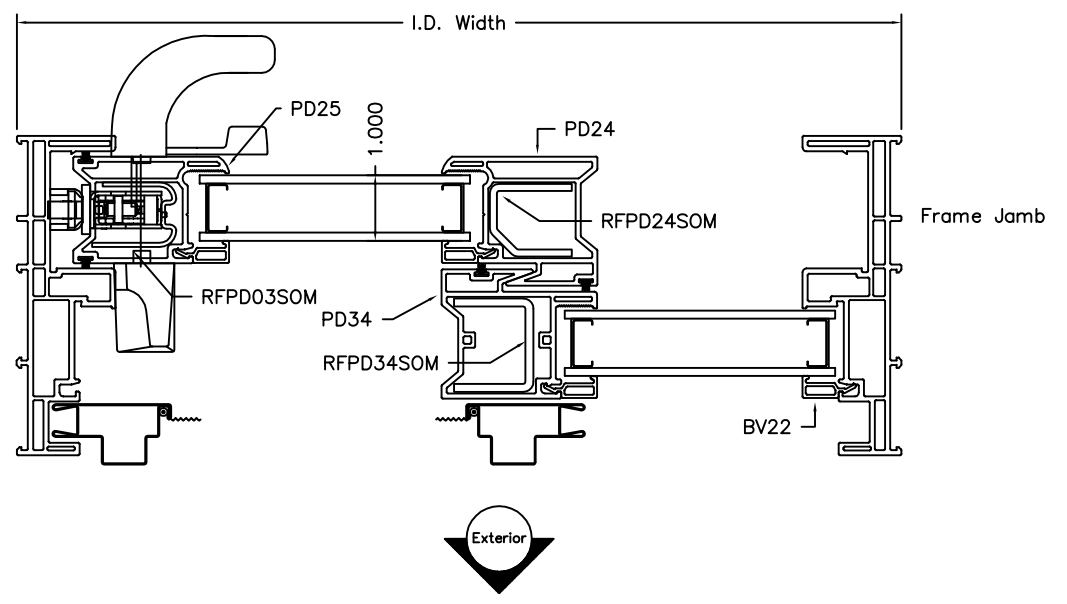
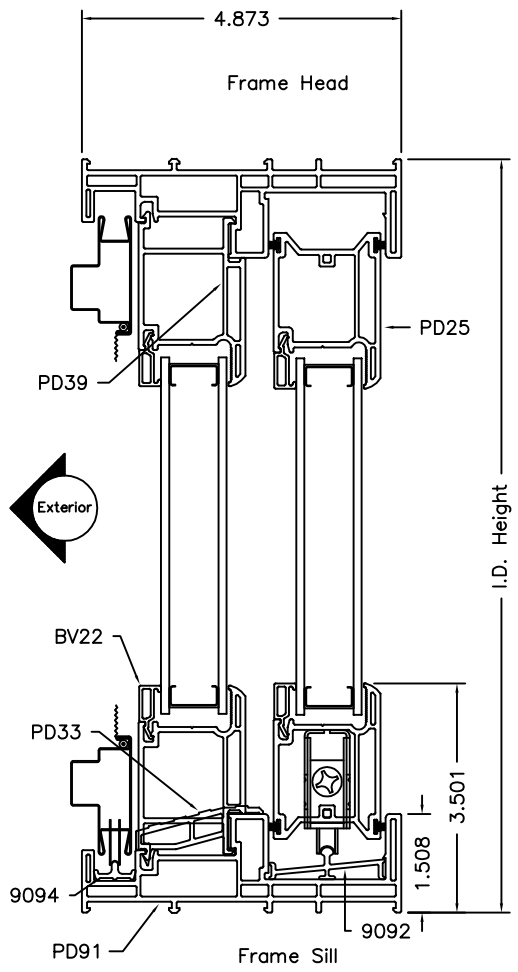


XO Shown, OX Opposite




Code Size	I.D. Size	Rough Opening
5-0 x 6-8	59 1/2" x 79 1/2"	60" x 80"
6-0 x 6-8	71 1/2" x 79 1/2"	72" x 80"
8-0 x 6-8	95 1/2" x 79 1/2"	96" x 80"
5-0 x 8-0	59 1/2" x 95 1/2"	60" x 96"
6-0 x 8-0	71 1/2" x 95 1/2"	72" x 96"
8-0 x 8-0	95 1/2" x 95 1/2"	96" x 96"

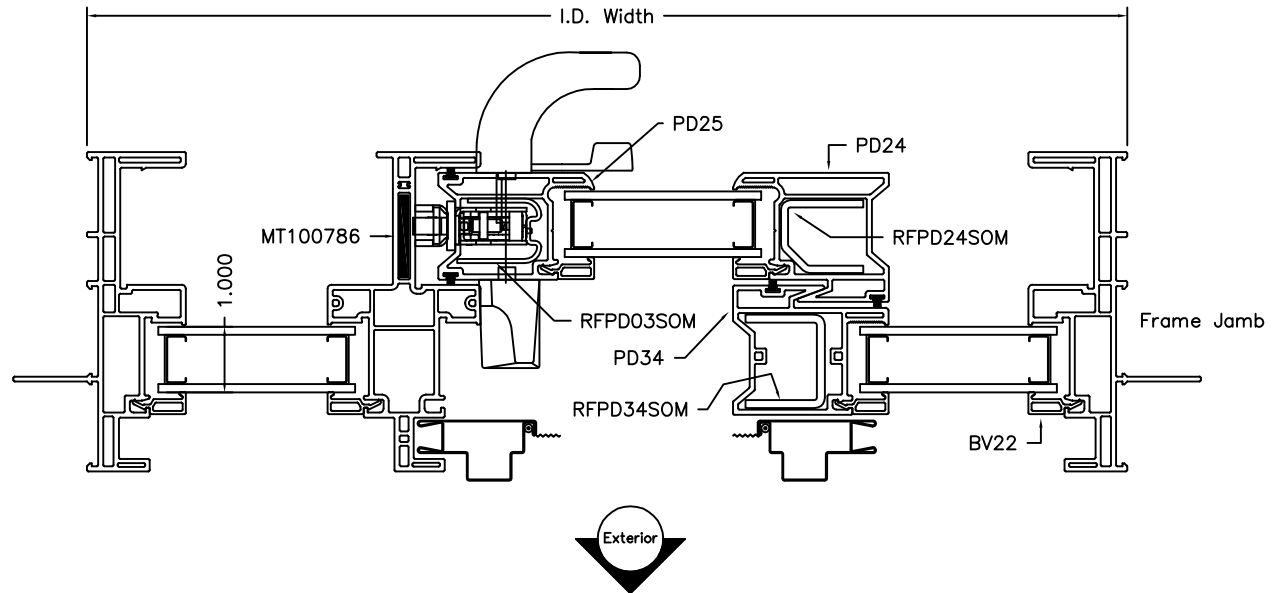
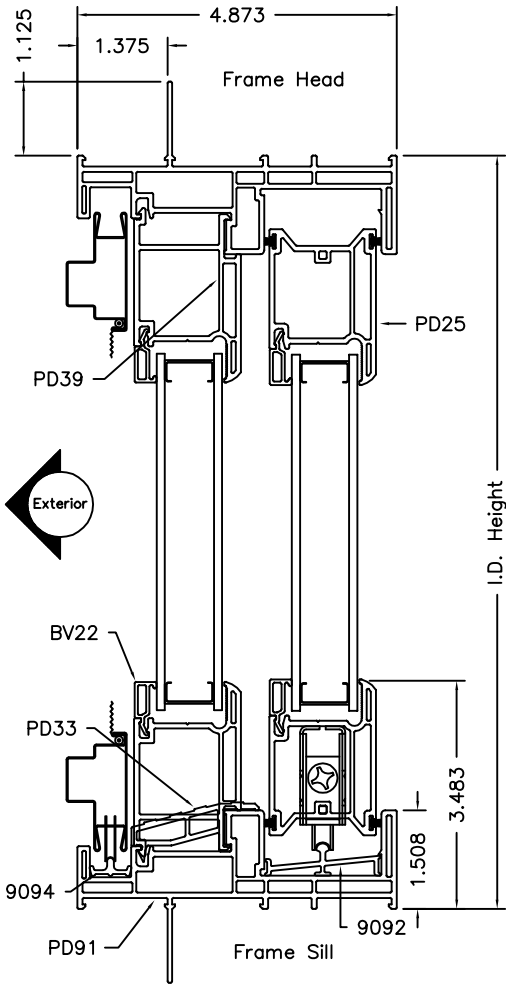
				<b>MATERIAL:</b> FINISH: AREA: WEIGHT: PERIMETER:		<b>UNSPECIFIED WALL:</b>  <b>BREAK ALL CORNERS R.015, UNLESS OTHERWISE SPECIFIED</b>		<b>MILGARD WINDOWS &amp; DOORS</b> 1010 54th Ave E, Fife, WA 98424		<b>DESCRIPTION:</b> Cross Sectional Drawing 2-Panel, Flange	
A 039A-15 Revised panel roller track shown LTR ECN # REVISIONS				03/25/15 T.C. DATE BY		The information, design or data shown on this document or electronic media is the exclusive property of MI Windows and Doors, LLC. It is considered confidential and proprietary and is made available for limited use only. Its use or reproduction without the expressed written consent of MI Windows and Doors, LLC., is prohibited.		PRODUCT: 390HP S.G.D. DATE: 03/21/13		SCALE: Half PART NUMBER: DFTM: T.C. DRAWING NUMBER: CS-000064	



XO Shown, OX Opposite

Code Size	I.D. Size	Rough Opening
5-0 x 6-8	59 1/2" x 79 1/2"	60" x 80"
6-0 x 6-8	71 1/2" x 79 1/2"	72" x 80"
8-0 x 6-8	95 1/2" x 79 1/2"	96" x 80"
5-0 x 8-0	59 1/2" x 95 1/2"	60" x 96"
6-0 x 8-0	71 1/2" x 95 1/2"	72" x 96"
8-0 x 8-0	95 1/2" x 95 1/2"	96" x 96"

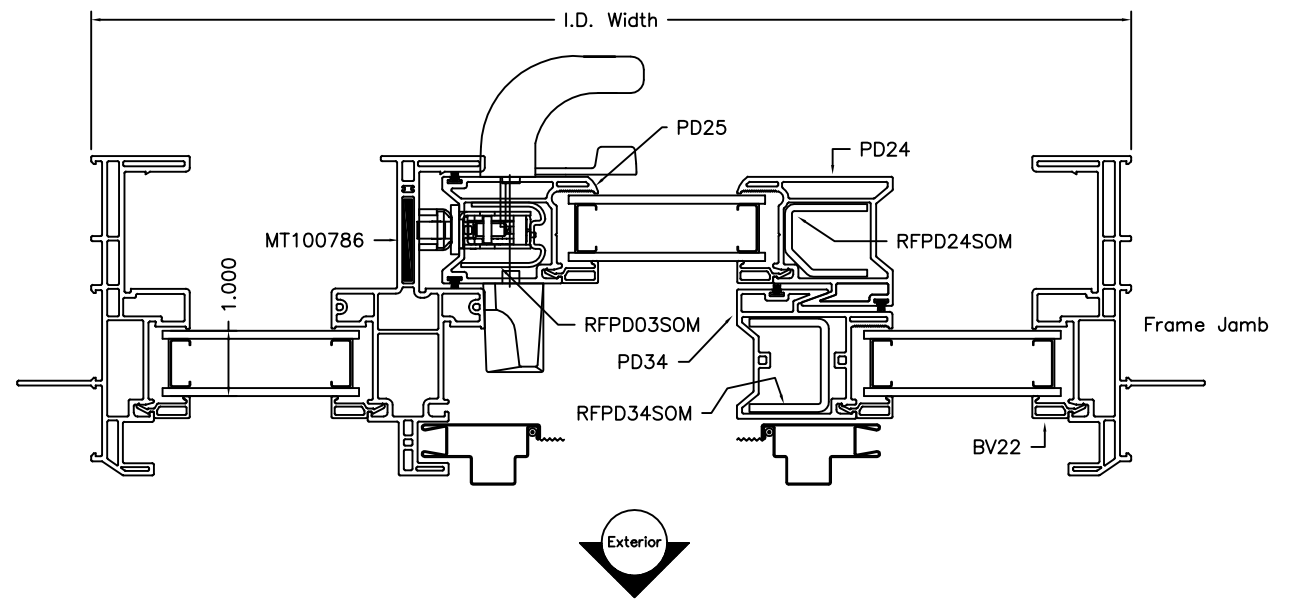
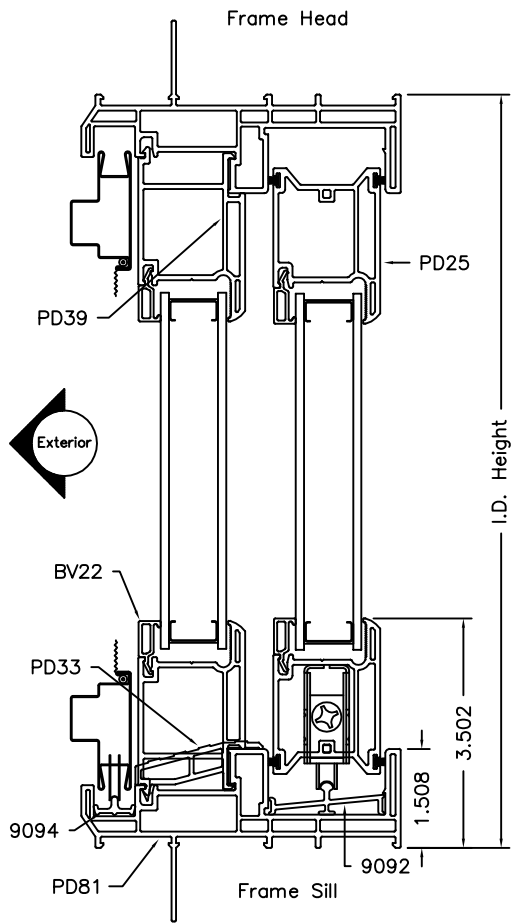
				MATERIAL:		 <b>MILGARD WINDOWS &amp; DOORS</b> 1010 54th Ave E, Fife, WA 98424	DESCRIPTION: Cross Sectional Drawing 2-Panel, Finless	
				FINISH:			PRODUCT: 390HP S.G.D. DATE: 03/21/13	
				AREA:			SCALE: Half PART NUMBER:	
				WEIGHT:			DFTM: T.C. DRAWING NUMBER: CS-000065	
				PERIMETER:				
A	039A-15	Revised panel roller track shown	03/25/15	T.C.	UNSPECIFIED WALL:  BREAK ALL CORNERS R.015, UNLESS OTHERWISE SPECIFIED		The information, design or data shown on this document or electronic media is the exclusive property of MI Windows and Doors, LLC. It is considered confidential and proprietary and is made available for limited use only. Its use or reproduction without the expressed written consent of MI Windows and Doors, LLC., is prohibited.	
LTR	ECN #	REVISIONS	DATE	BY				



O-XO Shown, OX-O Opposite

NOM. DOOR WIDTH	ACTUAL DOOR WIDTH
7'-6"	88 1/4"
9'-0"	106 1/4"
12'-0"	142 1/4"

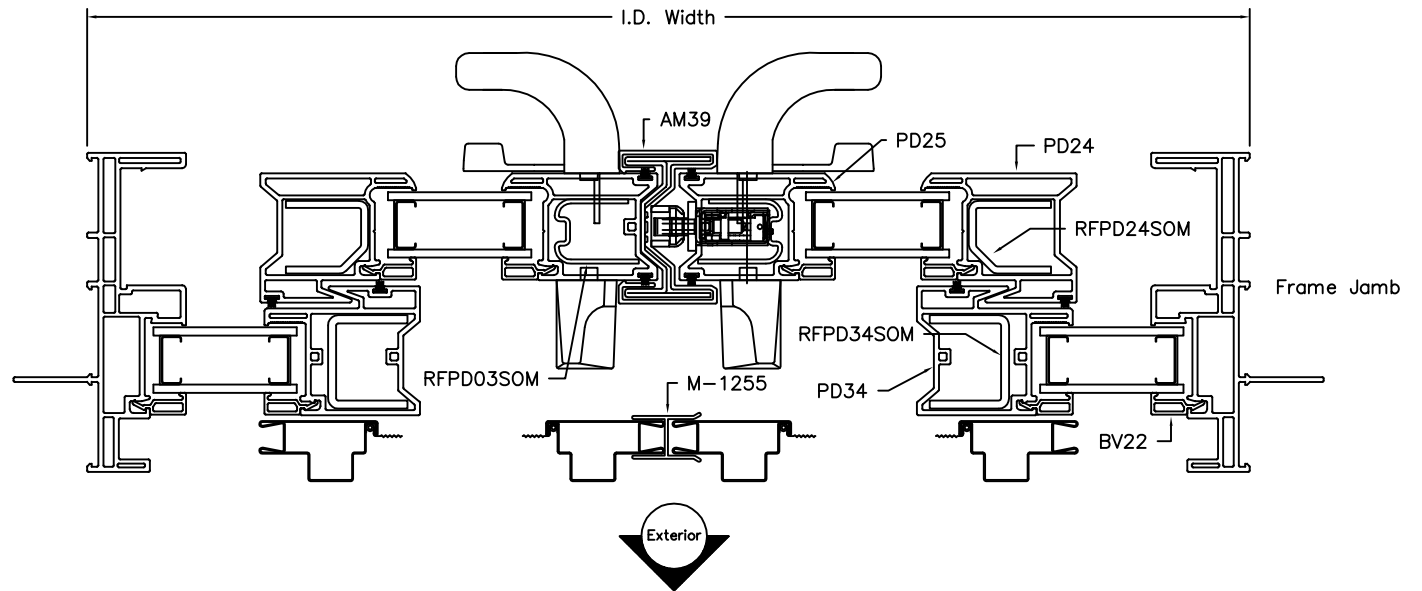
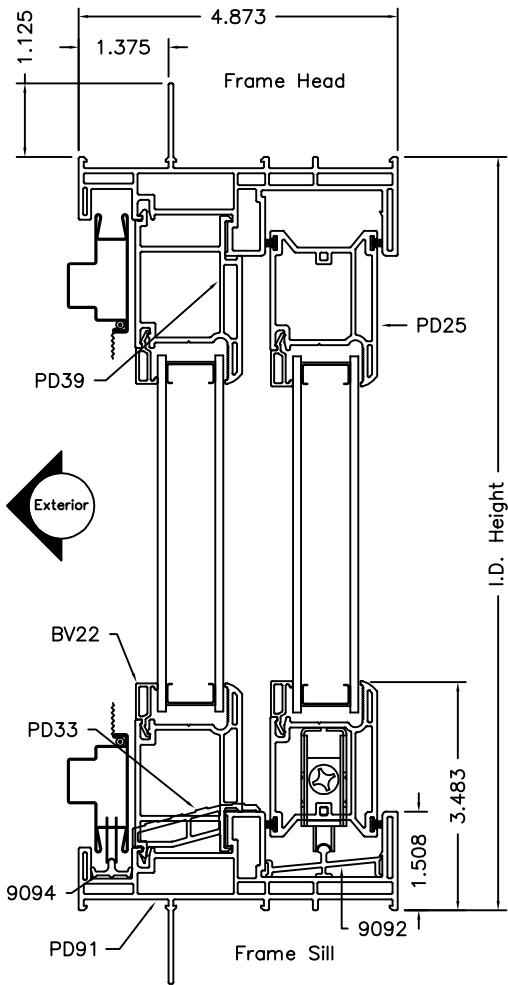
				<b>MATERIAL:</b> <b>FINISH:</b> <b>AREA:</b> <b>WEIGHT:</b> <b>PERIMETER:</b>		<b>MILGARD WINDOWS &amp; DOORS</b> 1010 54th Ave E, Fife, WA 98424  The information, design or data shown on this document or electronic media is the exclusive property of MI Windows and Doors, LLC. It is considered confidential and proprietary and is made available for limited use only. Its use or reproduction without the expressed written consent of MI Windows and Doors, LLC., is prohibited.	<b>DESCRIPTION:</b> Cross Sectional Drawing 3-Panel, 1 3/8" Fin Setback  <b>PRODUCT:</b> 390HP S.G.D. <span style="float: right;"><b>DATE:</b> 01/23/14</span>	
				<b>UNSPECIFIED WALL:</b>  <b>BREAK ALL CORNERS R.015, UNLESS OTHERWISE SPECIFIED</b>			<b>SCALE:</b> Half <b>DFTM:</b> T.C.	<b>PART NUMBER:</b>  <b>DRAWING NUMBER:</b> CS-000066
<b>A</b>	<b>039A-15</b>	Revised panel roller track shown	<b>03/25/15</b>	<b>T.C.</b>				
<b>LTR</b>	<b>ECN #</b>	<b>REVISIONS</b>	<b>DATE</b>	<b>BY</b>				




O-XO Shown, OX-O Opposite

NOM. DOOR WIDTH	ACTUAL DOOR WIDTH
7'-6"	88 1/4"
9'-0"	106 1/4"
12'-0"	142 1/4"

				MATERIAL:		<b>MILGARD WINDOWS &amp; DOORS</b> ; 1010 54th Ave E, Fife, WA 98424	DESCRIPTION: Cross Sectional Drawing 3-Panel, 1" Fin Setback	
				FINISH:			PRODUCT: 390HP S.G.D. DATE: 01/23/14	
				AREA:			SCALE: Half PART NUMBER:	
				WEIGHT:			DFTM: T.C. DRAWING NUMBER: CS-000067	
A	039A-15	Revised panel roller track shown	03/25/15	T.C.	BREAK ALL CORNERS R.015, UNLESS OTHERWISE SPECIFIED		The information, design or data shown on this document or electronic media is the exclusive property of MI Windows and Doors, LLC. It is considered confidential and proprietary and is made available for limited use only. Its use or reproduction without the expressed written consent of MI Windows and Doors, LLC., is prohibited.	
LTR	ECN #	REVISIONS	DATE	BY	PERIMETER:			



NOM. DOOR WIDTH	ACTUAL DOOR WIDTH
10'-0"	117 1/2"
12'-0"	141 1/2"

				<b>MATERIAL:</b> <b>FINISH:</b> UNSPECIFIED WALL <b>AREA:</b> <b>WEIGHT:</b> <b>PERIMETER:</b>		 <b>MILGARD WINDOWS &amp; DOORS</b> 1010 54th Ave E, Fife, WA 98424		<b>DESCRIPTION:</b> Cross Sectional Drawing 4-Panel, 1 3/8" Fin Setback <b>PRODUCT:</b> 390HP S.G.D. <b>DATE:</b> 01/23/14	
				<b>BREAK ALL CORNERS R.015, UNLESS OTHERWISE SPECIFIED</b>					
A	039A-15	Revised panel roller track shown	03/25/15	T.C.					
LTR	ECN #	REVISIONS	DATE	BY					

The information, design or data shown on this document or electronic media is the exclusive property of MI Windows and Doors, LLC. It is considered confidential and proprietary and is made available for limited use only. Its use or reproduction without the expressed written consent of MI Windows and Doors, LLC., is prohibited.

