

Cross Section Drawing
Trinsic Single Casement Window
Block Frame (No Fin)

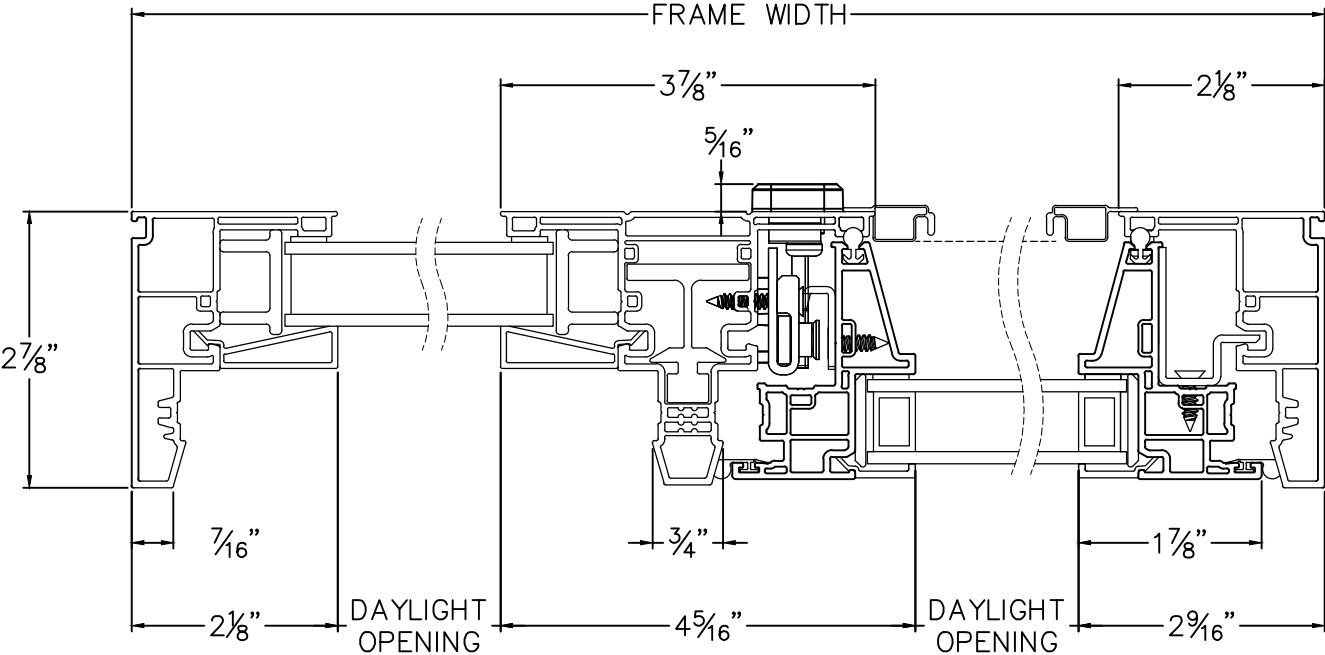
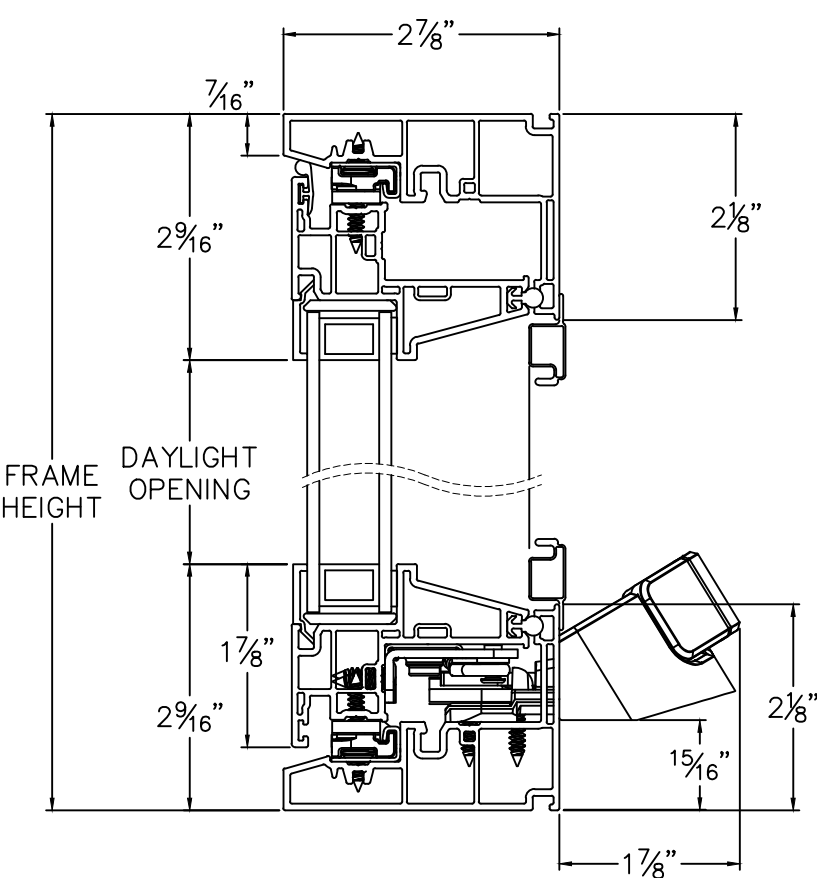
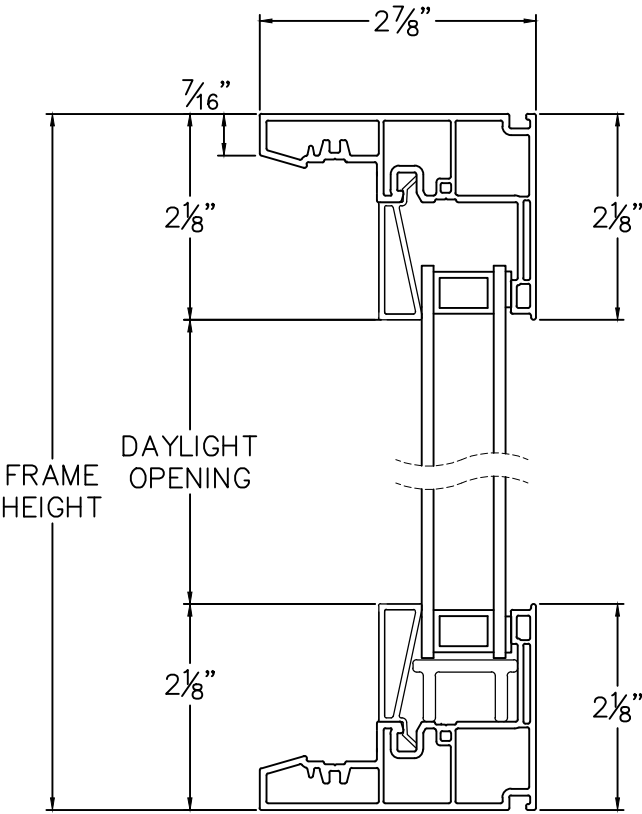


Clearly the best.™

CAD File Scale	View	File Name	Units	Revision
NTS	Horizontal & Vertical	Trinsic_2510_SC_block	Inch	2/2020

More Technical Documents can be found at milgard.com/professionals
 Due to continual research and development, details may be changed at any time. ©2020 Milgard Mfg.

CASEMENT
SERIES 2510



HEAD & SILL

JAMBS