

# Cross Section Drawing

## Trinsic Full Casement Window 1 3/8" Nailfin Setback Frame



Clearly the best.™

CAD File Scale  
NTS

View  
Horizontal & Vertical

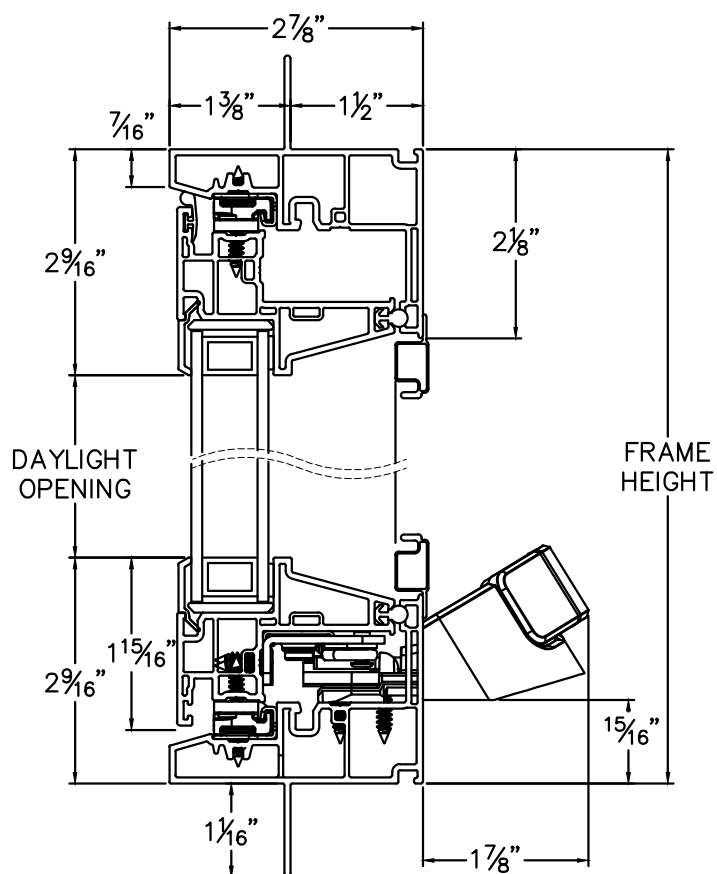
File Name  
Trinsic\_2510\_FC\_1.375in

Units  
Inch

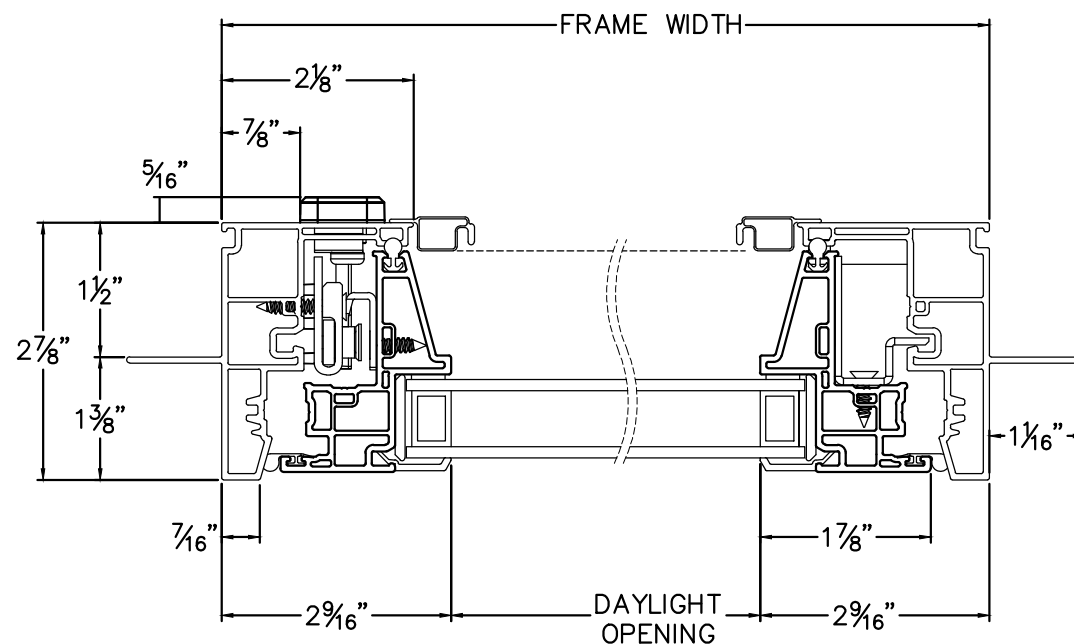
Revision  
2/2020

More Technical Documents can be found at [milgard.com/professionals](http://milgard.com/professionals)  
Due to continual research and development, details may be changed at any time. ©2020 Milgard Mfg.

### CASEMENT SERIES 2510



HEAD & SILL



JAMBS