

Cross Section Drawing

Trinsic Bottom Awning Window 1" Nailfin Setback Frame w/Stucco Key



Clearly the best.™

CAD File Scale
NTS

View
Horizontal & Vertical

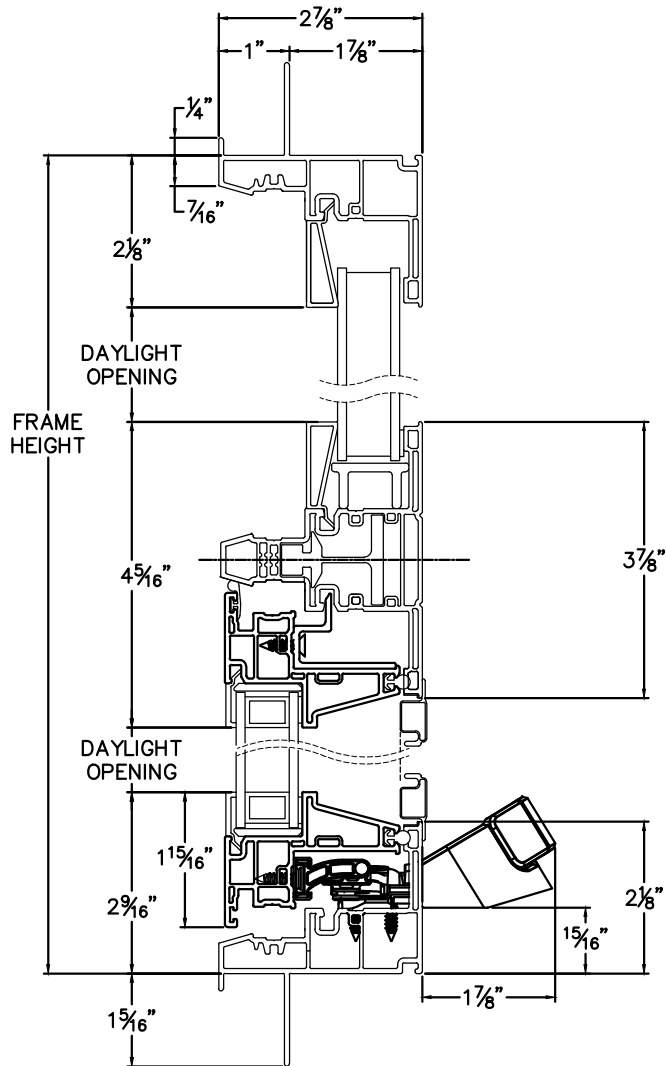
File Name
Trinsic_2430_BA_1in_stucco

Units
Inch

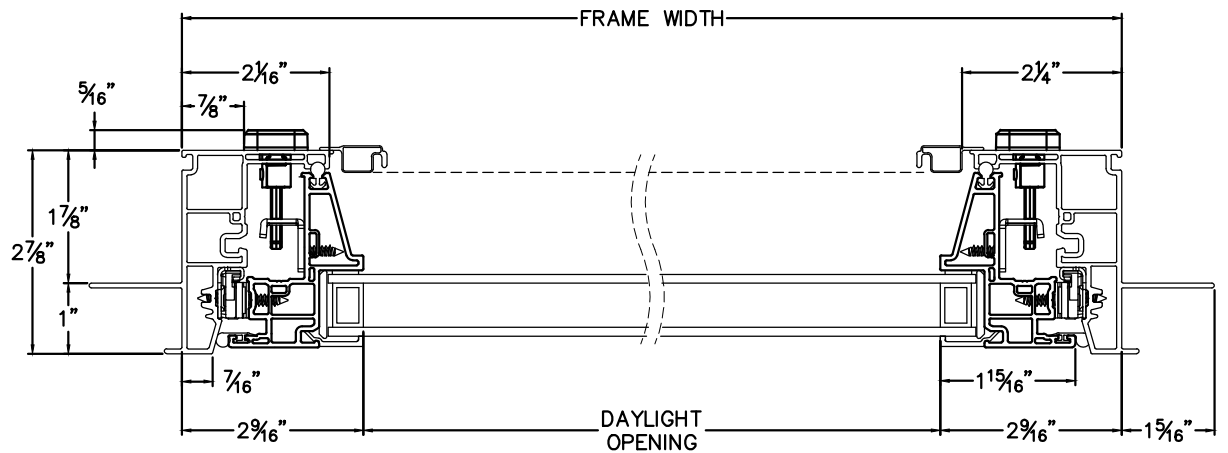
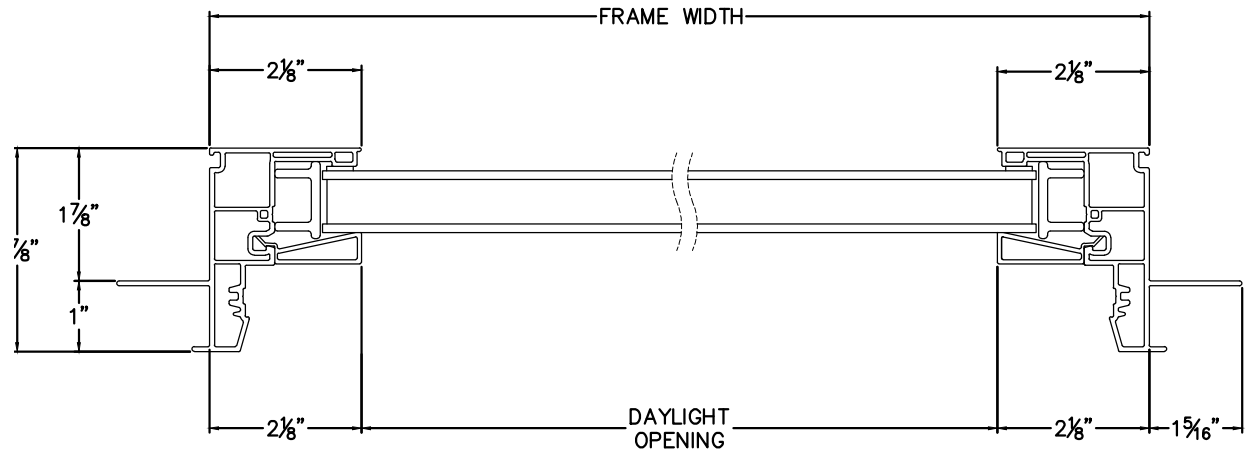
Revision
2/2020

More Technical Documents can be found at milgard.com/professionals
Due to continual research and development, details may be changed at any time. ©2020 Milgard Mfg.

BOTTOM AWNING SERIES 2430



HEAD & SILL



JAMBS