

Cross Section Drawing

Trinsic Full Awning Window

Block Frame (No Fin)



CAD File Scale
NTS

View
Horizontal & Vertical

File Name
Trinsic_2410_FA_block

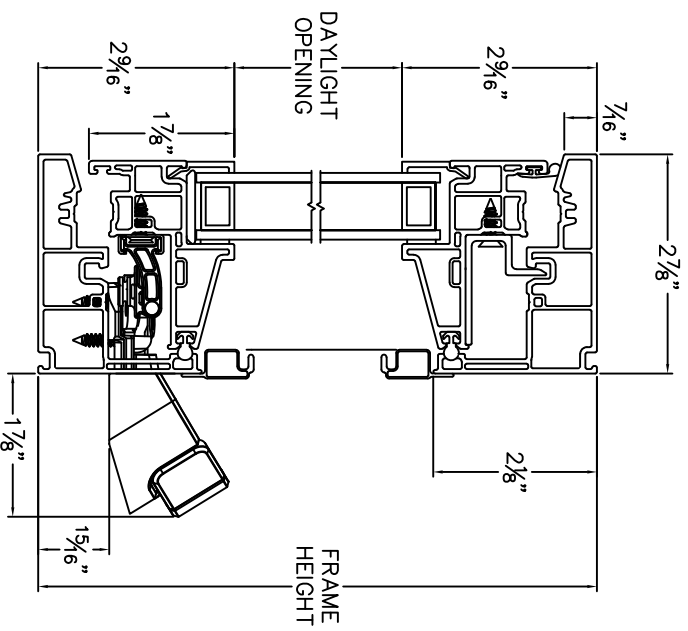
Units
Inch

Revision
2/2020

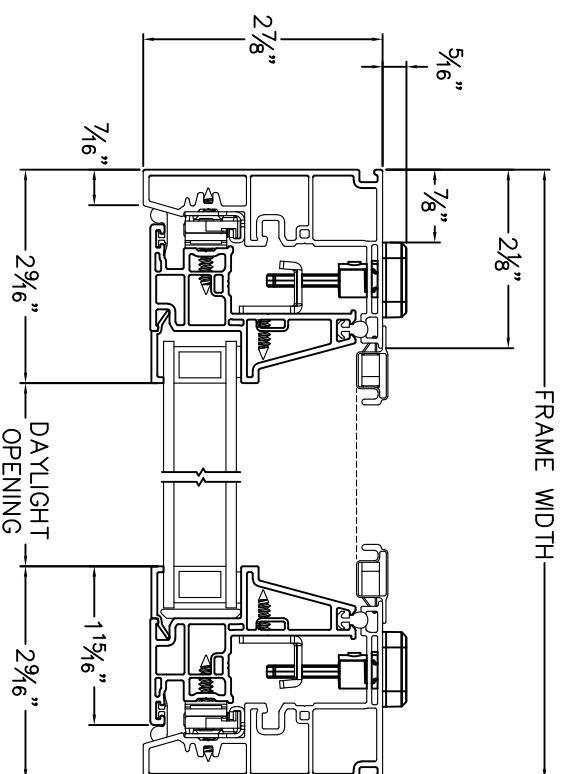
More Technical Documents can be found at milgard.com/professionals
Due to continual research and development, details may be changed at any time. ©2020 Milgard Mfg.

AWNING

SERIES 2410



HEAD & SILL



JAMBS