

Cross Section Drawing

Trinsic Horizontal Slider Above Window 1" Nailfin Setback Frame with J-Channel



CAD File Scale
NTS

View
Horizontal & Vertical

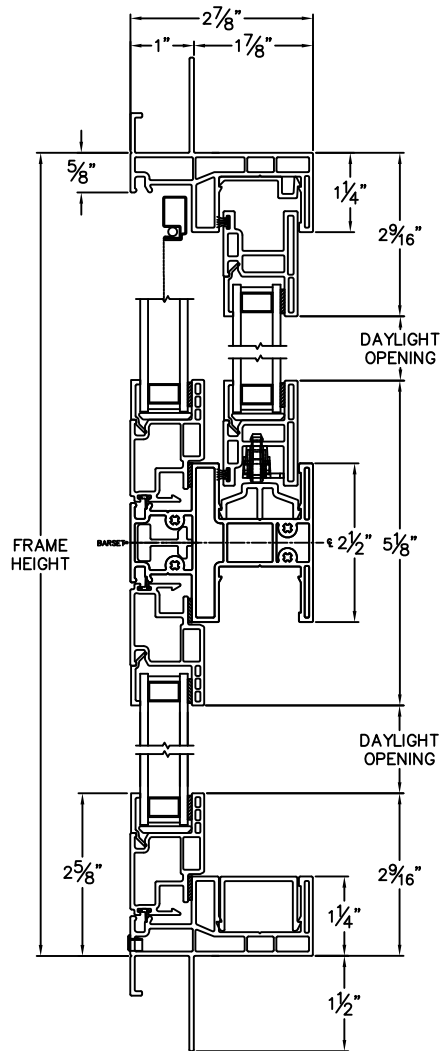
File Name
TRINSIC_2130J_HVA_1in_J-Channel

Units
Inch

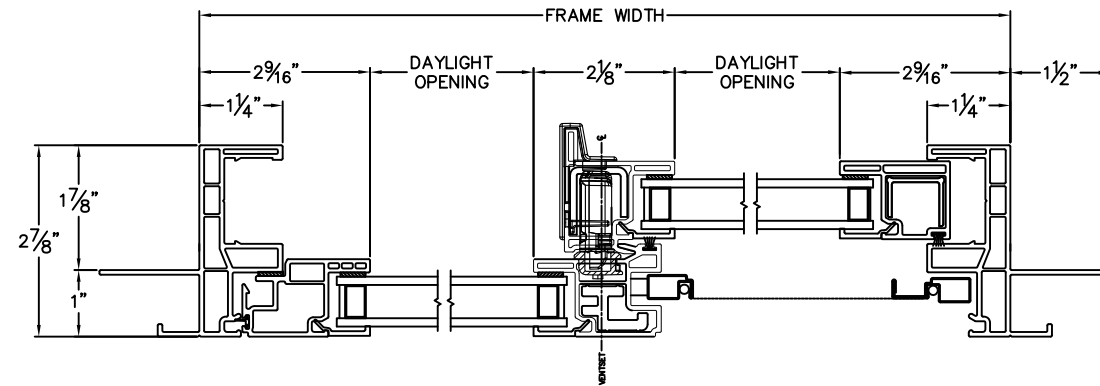
Revision
08/2018

More Technical Documents can be found at milgard.com/professionals
Due to continual research and development, details may be changed at any time. ©2018 Milgard Mfg.

HALF VENT ABOVE SERIES 2130J



HEAD & SILL



JAMBS