

Cross Section Drawing

Trinsic Horizontal Slider Above Window Block Frame (No Fin)



CAD File Scale
NTS

View
Horizontal & Vertical

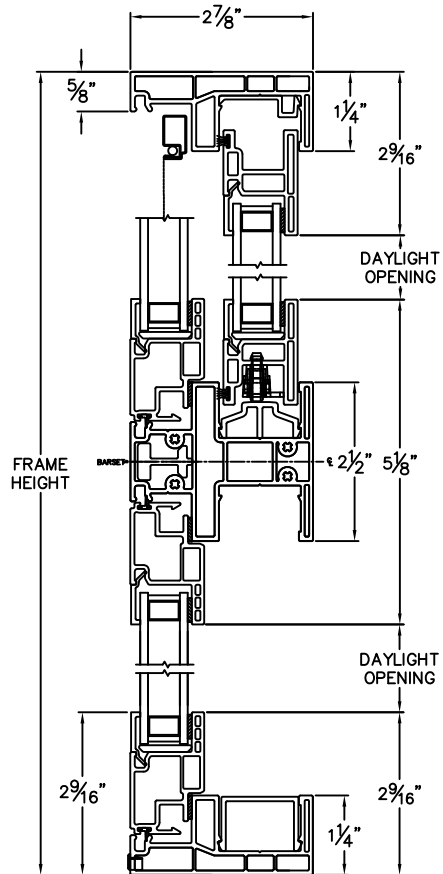
File Name
TRINSIC_2110_HVA_Block

Units
Inch

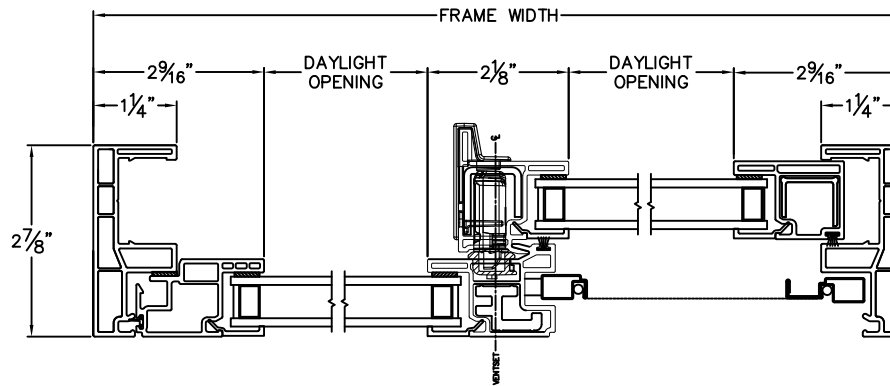
Revision
08/2018

More Technical Documents can be found at milgard.com/professionals
Due to continual research and development, details may be changed at any time. ©2018 Milgard Mfg.

HALF VENT ABOVE SERIES 2110



HEAD & SILL



JAMBS

