

Cross Section Drawing

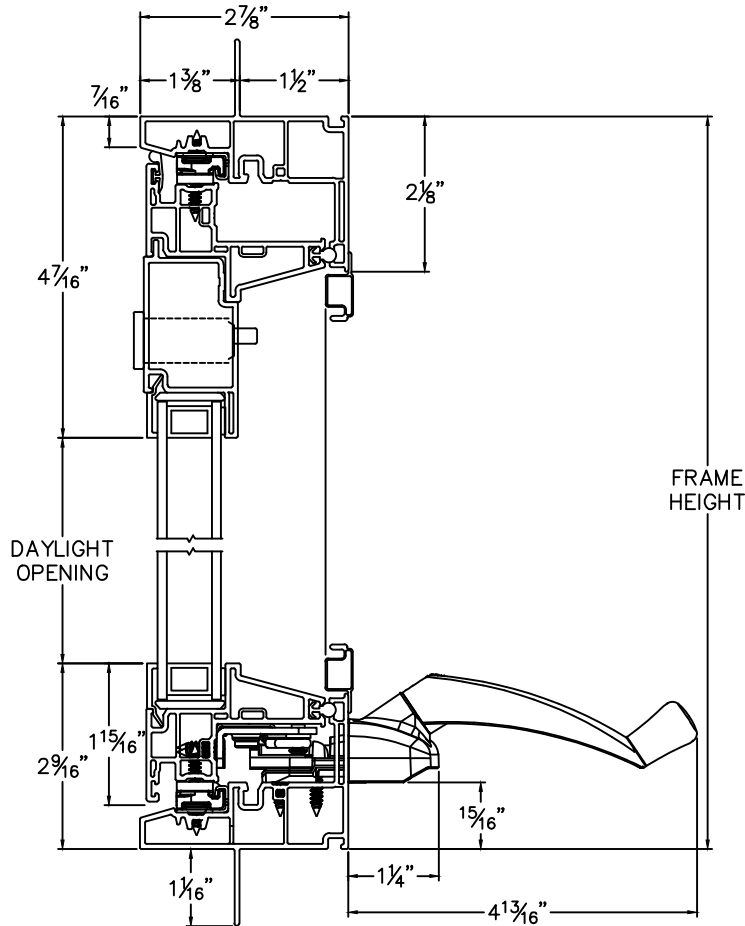
StyleLine Full Casement Window 1 3/8" Fin Set Back with Ventilator



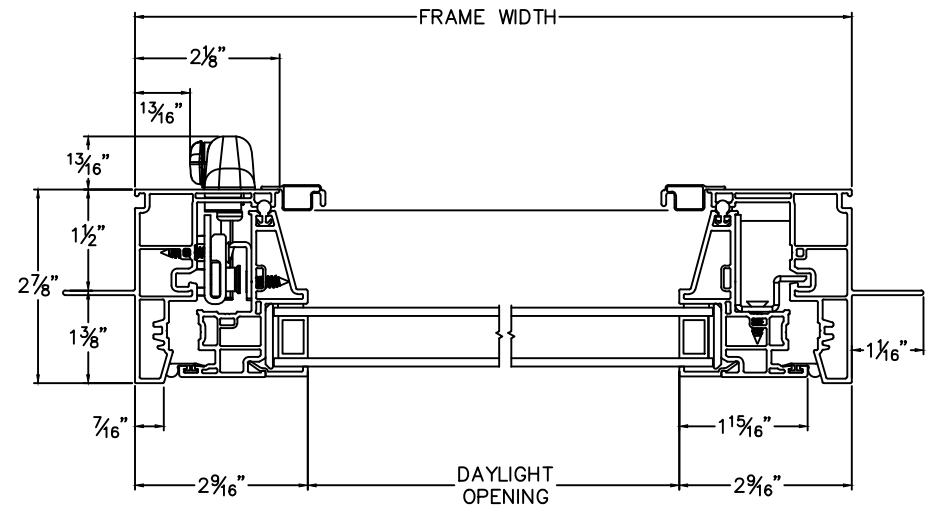
CAD File Scale	View	File Name	Units	Revision
NTS	Horizontal & Vertical	StyleLine_6510_FC_1.375in_with_ventilator	Inch	11/2021

More Technical Documents can be found at milgard.com/professionals
 Due to continual research and development, details may be changed at any time. ©2013 Milgard Mfg.

CASEMENT



HEAD & SILL



JAMBS