

# Cross Section Drawing

## StyleLine Full Awning Window 1" Fin Set Back w/ Stucco Key

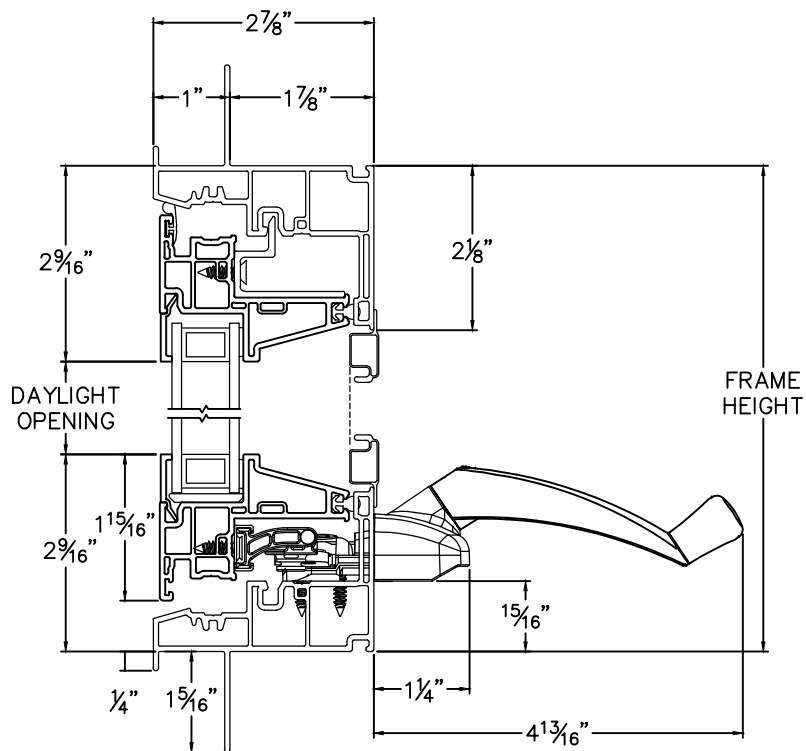


*Clearly the best.™*

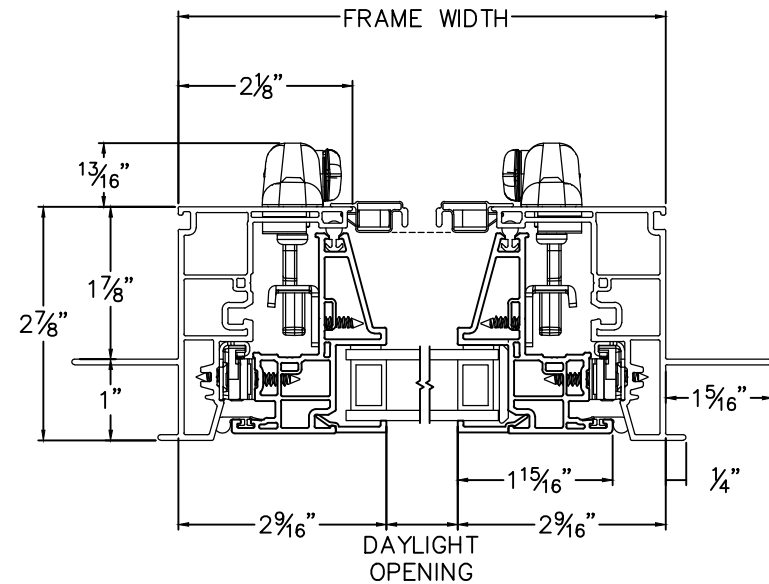
CAD File Scale	View	File Name	Units	Revision
NTS	Horizontal & Vertical	StyleLine_6430_FA_1in_NFS_stucco	Inch	11/2021

More Technical Documents can be found at [milgard.com/professionals](http://milgard.com/professionals)  
 Due to continual research and development, details may be changed at any time. ©2013 Milgard Mfg.

### AWNING SERIES 6430



HEAD & SILL



JAMBS