

Cross Section Drawing

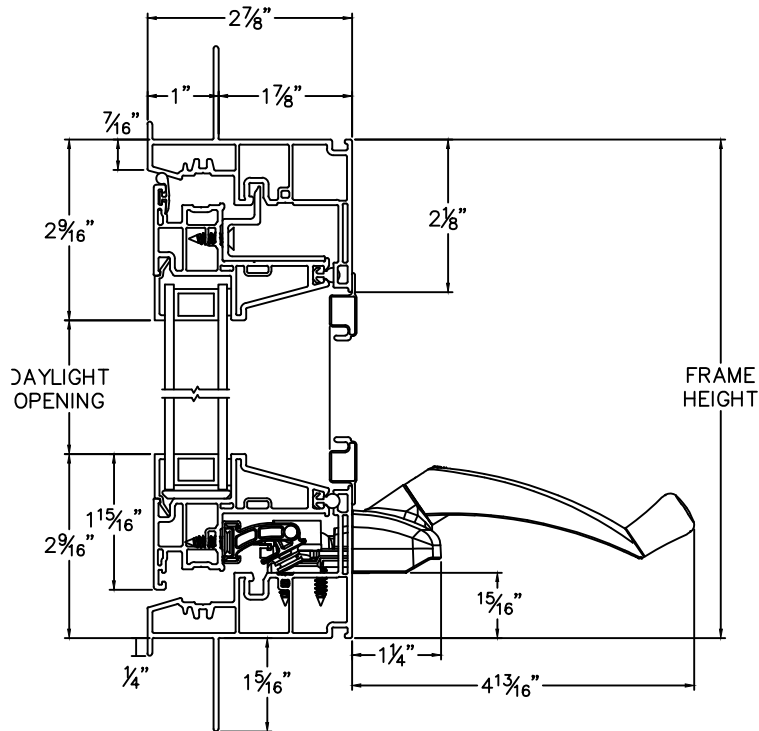
StyleLine Double Awning Window 1" Fin Set Back w/ Stucco Key



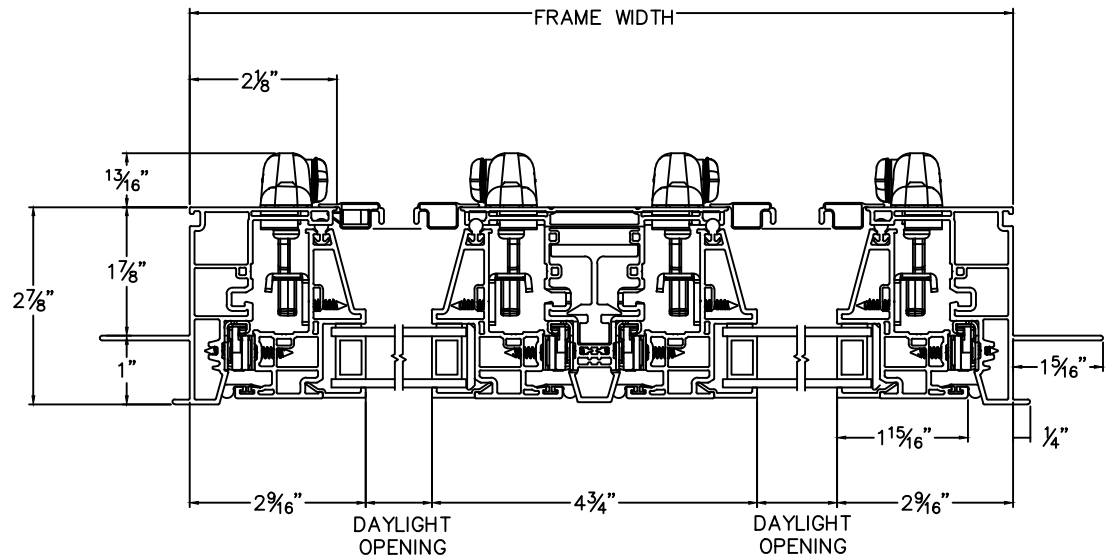
CAD File Scale	View	File Name	Units	Revision
NTS	Horizontal & Vertical	StyleLine_6430_DA_1in.dwg	Inch	11/2021

More Technical Documents can be found at milgard.com/professionals
 Due to continual research and development, details may be changed at any time. ©2013 Milgard Mfg.

DOUBLE AWNING SERIES 6430



HEAD & SILL



JAMBS