

Cross Section Drawing

StyleLine Bottom Awning Window 1 3/8" Nailfin Setback Frame

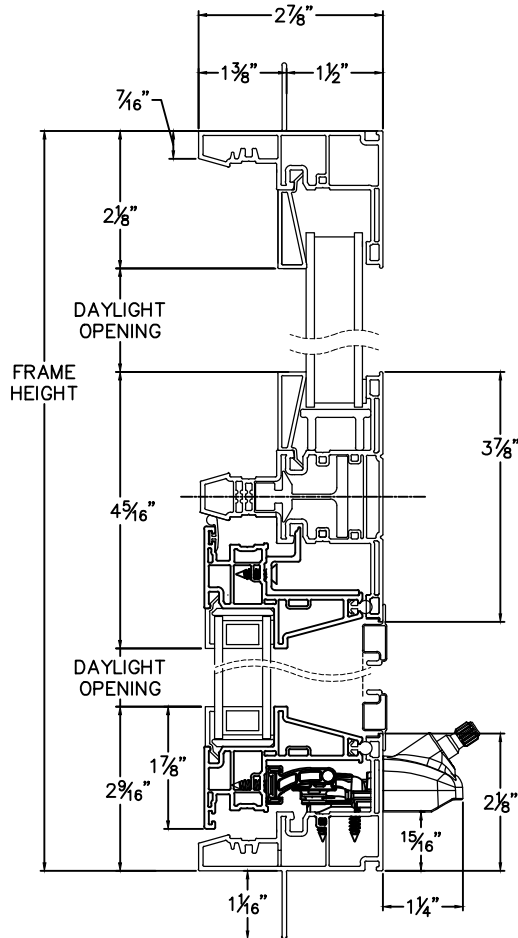


Clearly the best.™

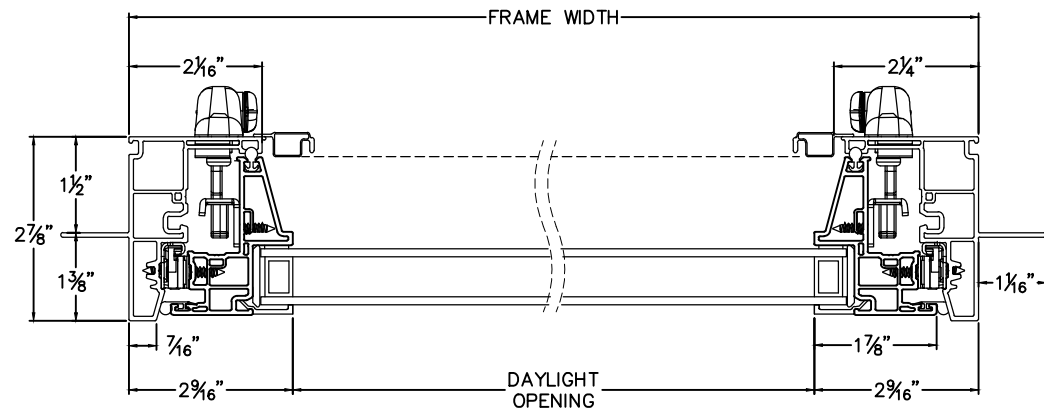
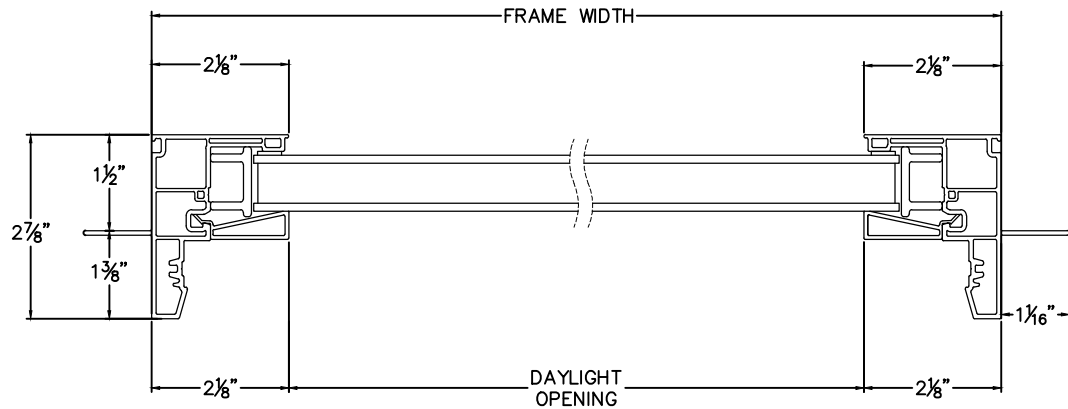
CAD File Scale	View	File Name	Units
NTS	Horizontal & Vertical	StyleLine_6410_BA_1.375in	Inch

More Technical Documents can be found at milgard.com/professionals
 Due to continual research and development, details may be changed at any time. ©2013 Milgard Mfg.

BOTTOM AWNING SERIES 6410



HEAD & SILL



JAMBS