

Cross Section Drawing

StyleLine Horizontal Slider Window Block Frame



Clearly the best.™

CAD File Scale
NTS

View
Horizontal & Vertical

File Name
StyleLine_6110_HS_block

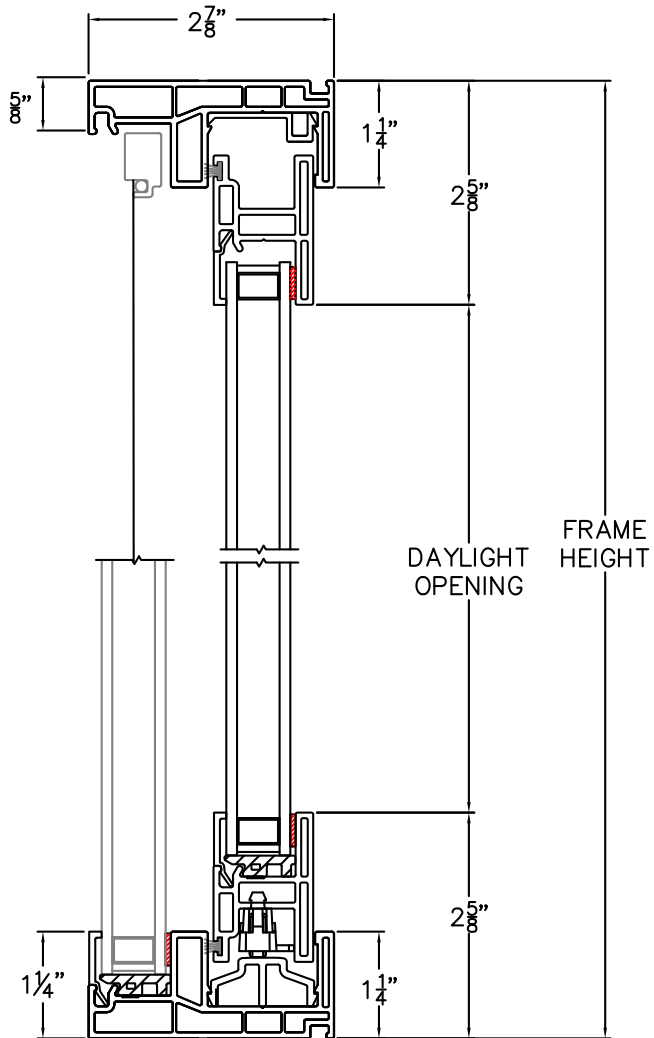
Units
Inch

Revision
12/2015

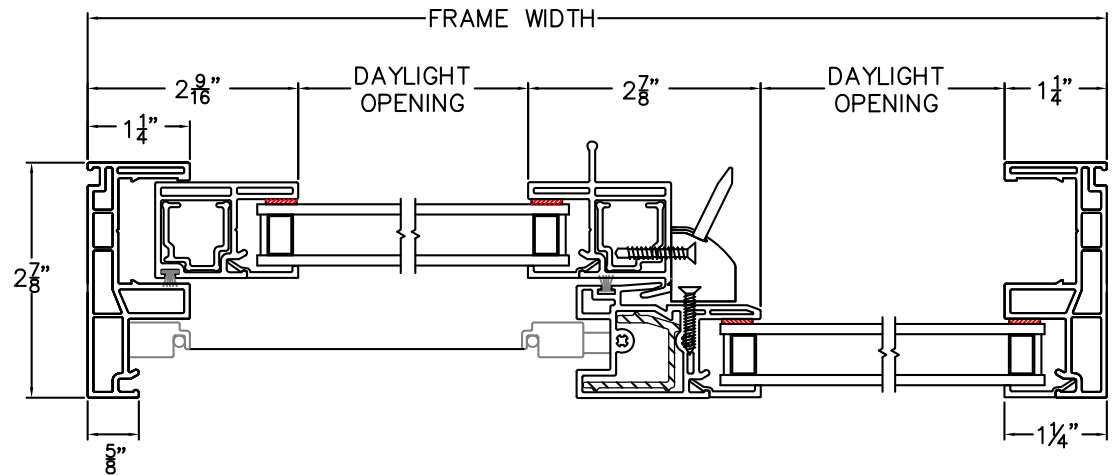
More Technical Documents can be found at milgard.com/professionals

Due to continual research and development, details may be changed at any time. ©2013 Milgard Mfg.

HORIZONTAL SLIDER SERIES 6110



HEAD & SILL



JAMBS