



Assembly and Installation

Guide for AX550 Stacking Doors

STOP! IMPORTANT!

It is imperative that you carefully review and understand these instructions and all drawings supplied prior to installation of the Milgard AX550 Stacking Door System (the “Product”). Responsibility for product selection and installation rests with the owner, architect and installation contractor. Do not proceed with installation unless all factors necessary to properly integrate the Product into a building’s water management system have been addressed.

Milgard makes no representation or warranty that these recommendations include all information necessary to ensure proper integration into every building. State and local code requirements may impose different or additional demands which could supersede, supplement and/or modify these recommendations. For additional guidance regarding installation of the Product refer to applicable industry standards.

(E.g. AAMA 2400, AAMA Installation Masters™ ASTM E 2112, FMA/AAMA/WDMA 300-12).

Failure to follow these recommendations, local requirements, and good building practices may result in poor performance including, but not limited to, operation, security and weatherproofing failures and may void coverage under the applicable Milgard express limited warranty. Provide a copy of these recommendations and the applicable Milgard express limited warranty to the owner before installing. Milgard does not permit adoption of its installation recommendations into the contracts of others without its prior, written consent.

Please contact Milgard at 1-800-645-4273 for clarification.



Assembly and Installation

Guide for AX550 Stacking Doors

Safety and Handling

Installation of the Product is not a “do-it-yourself” project. The Product should be installed only by experienced, qualified and, where required, licensed installation professionals.

- Read and fully understand ALL manufacturer's instructions prior to beginning the installation. Failure to follow proper installation instructions may affect coverage under the applicable Milgard express limited warranty.
- This is a finished product that must be protected before, during and after installation to prevent damage to the glass, frame, finish and hardware. All component parts, including door panels, should be stored in a dry location that is protected from the elements.
- Before proceeding with installation, inspect the component parts and confirm that there is no damage that will affect appearance or performance. Damaged or missing parts should be reported to your supplier immediately.
- Use caution when working at elevated heights including but not limited to ladders and scaffolding.
- It is the responsibility of the installation contractor to consult and establish appropriate safety and health practices and determine the applicability of regulatory limitations prior to commencing installation.
- Do not work alone and use safe lifting techniques. Two or more people may be required to lift. Use a reasonable amount of people with enough strength to lift, carry and install to avoid injury and/or damage to the Product.
- Use caution when handling glass. Broken or cracked glass can cause serious injury.
- Wear protective gear (safety glasses, gloves, ear protection, etc...).
- Operate hand and power tools safely and follow the manufacturer's operating instructions.
- Job site and worker protections are recommended and may be required.



BEFORE YOU INSTALL

Guide for AX550 Stacking Doors

Read and verify your packaged items.

Prepare the Product for Assembly and Installation [FIG 01]

Use the label shown to track door components. Ensure that you have all required components of the Door System and that they are undamaged. Please contact your dealer if you have any questions about your order.



This door is HEAVY, Please use caution during Lifting, Moving,

STEP 1

Confirm the PO#, MODEL (includes Door Size and style), HANDING match the order that was placed.

STEP 2

Confirm that Door Color matches your order. Hardware box label indicates Hardware color. Check the packing slip on the box to further verify your exact Hardware selections.


STEP 3

Check the Package Total indicated below. Ensure you have the full series of packages required to install your door.


In this example: You would need to receive nine items for installation ranging from Box 1 of 9 to Box 9 of 9.


NOTE: You may access the digital version of this installation guide via the QR code on the label at any time.

FRAME - HEAD

PACKING LIST;
 FRAME - HEAD


Head wt (Lbs.): ###
 Max Package wt (Lbs.): ###

STEP 2 Door Color : BRONZE 
 Bld : Milgard build number


CAUTION! HEAVY!
TEAM LIFT REQUIRED 


SO Ln : sales order number here

STEP 1 PO : #####
 Model : 238 3/8 x 96 multi - slide
 Handing : 03X

BLD Route Code: **PO-D-815A** SALE Route Code: **CBA**
 BLD Ship Date: **06/07/20** SALE Ship Date: **06/10/20**

CUSTOMER : "YOUR NAME"





Milgard.com/AX550/Install

BOX 1 OF 9

STEP 3

FIG 01

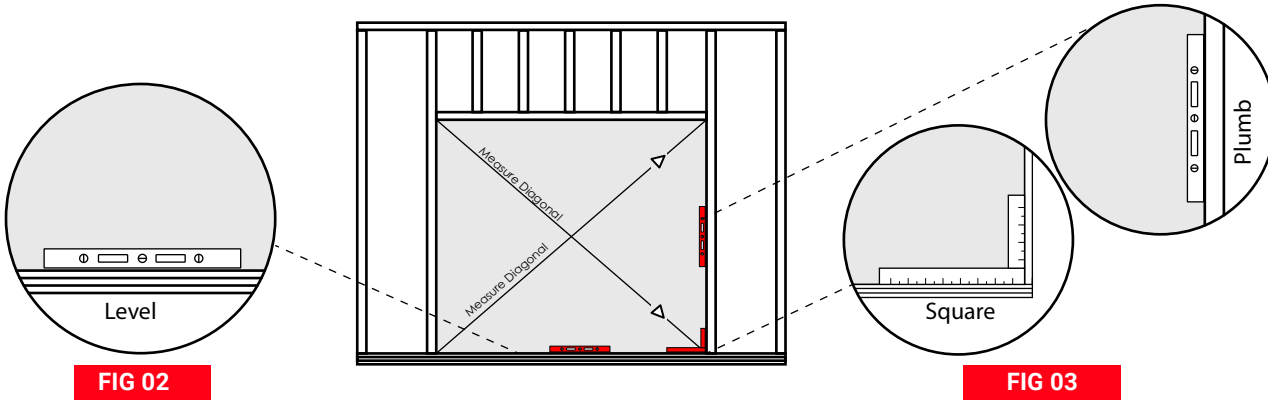
BEFORE YOU INSTALL

Guide for AX550 Stacking Doors

Requirements for a successful install :

Rough Opening

- Ensure that the sill is flat and level [FIG 02]
- Ensure that the entire opening is square and plumb [FIG 03]



Manpower



A minimum of two people must be used to install these systems. Three or more is preferred and larger systems may require more than three.

Protection from Wind and Rain



Systems should be installed with overhead protection from wind and rain to prevent potential damage from water. We recommend that a professional waterproofing consultant be used to ensure proper steps are taken to reduce the potential for damage.

Installing in Existing Structures



System installation may disturb surfaces and paint in existing structures. Specific notice and work site precautions may be required. Additional information is available at www.epa.gov/lead. Comply with all applicable federal, state and local requirements.



Special disposal considerations may be necessary for materials used during installation. Materials removed from an existing structure may also have their own disposal or recycling requirements. Comply with all applicable federal, state and local requirements.

Warranty Registration

Milgard is dedicated to quality and build our windows and patio doors to last. With the Milgard AX550 Moving Glass Wall, the original homeowner is covered pursuant to the applicable Lifetime Limited Warranty. Register your warranty at milgard.com/register



BEFORE YOU INSTALL

Guide for AX550 Stacking Doors

Material and Tool List :

Materials and tools indicated below are general suggestions. Additional or different items may be required depending on the type of install and regional code requirements.

Materials Required:

- Non-compressible shims.
- Fasteners for Wood Frame Installation provided
 - o Type and number as required by code.
 - o At minimum fastener type should be sufficient to properly affix the frame and penetrate opening.
- Flexible membrane for sill pan flashing system.
- High quality compatible exterior grade sealant.
- Seal tape for the weather resistant barrier.
- Self-adhering flashing
 - o In a width required by code but no less than 4".
 - o AAMA 711 compliant flexible butyl tape flashing or equivalent is recommended.
- Backer rod.
- 2" Chip brush for spreading Liquid Applied Flashing.
- Joint knife, trowel, or spatula for applying Liquid Applied Flashing.
- Low-expansive, low-pressure foam or batt type insulation.
- DRILL BIT size required: 9/64".

Tool Checklist:

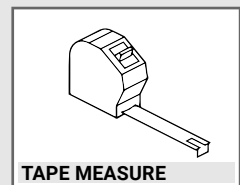
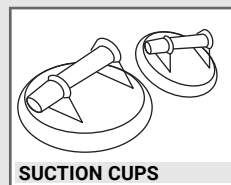
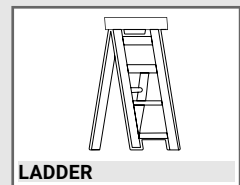
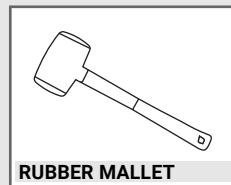
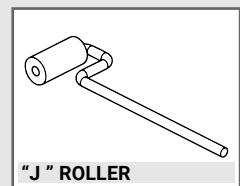
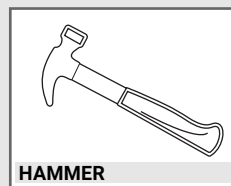
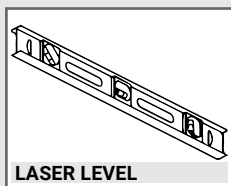




TABLE OF CONTENTS

Guide for AX550 Stacking Doors

TABLE OF CONTENTS:

<u>STEP 1</u>	Installation Preparation Page 06 -13
<u>STEP 2</u>	Frame Assembly Page 14 -16
<u>STEP 3</u>	Frame Installation Page 17 -19
<u>STEP 4</u>	Panel Installation Page 20 -27
<u>STEP 5</u>	Accessory Installation Page 28 -32

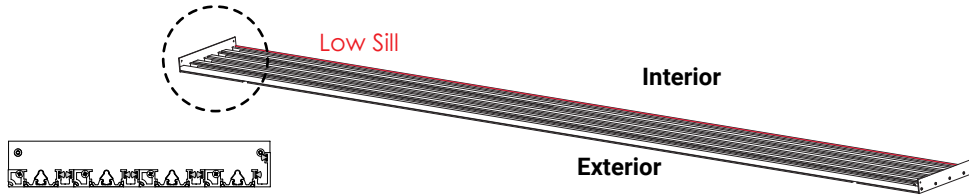
Note 1: Unless specifically indicated on the Figure as “**Interior View**”
All Figures in this installation guide are detailed from door **Exterior**.

STEP 1- INSTALLATION PREPARATION

Parts List

Frame Components:

Frame Sill **[FIG 04]**
 Low Sill or Mid Sill Option



Tall Sill Shown

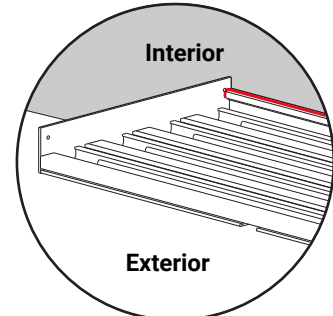


FIG 04

Frame Head **[FIG 05]**

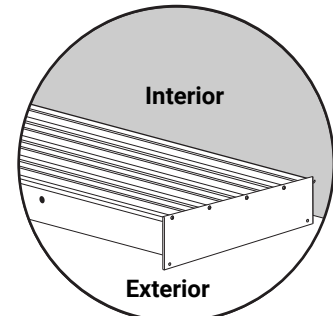
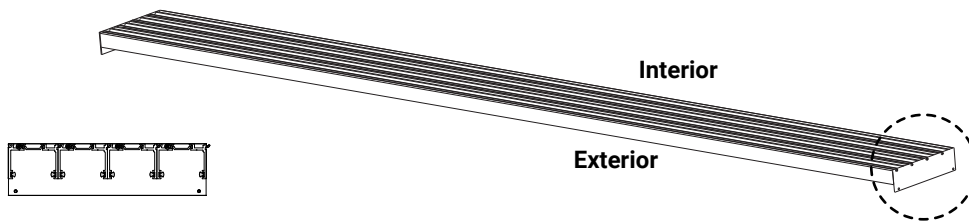


FIG 05

Frame Lock Jamb **[FIG 06]**

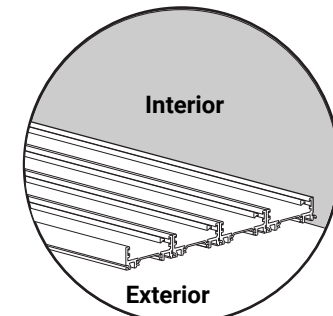
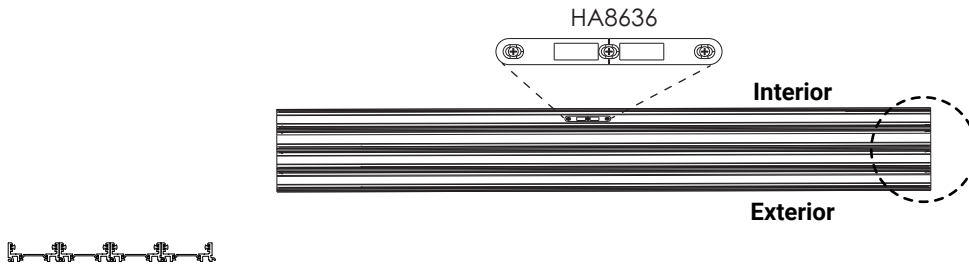


FIG 06

Frame Fixed Panel Jamb **[FIG 07]**

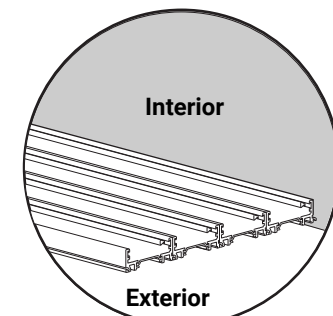
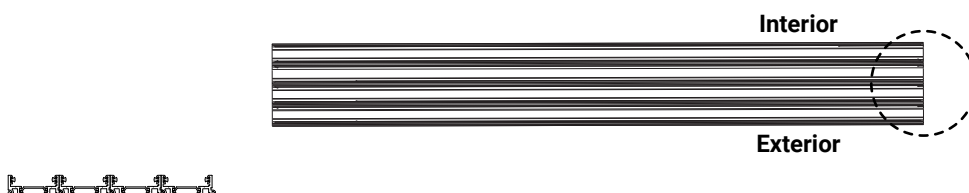


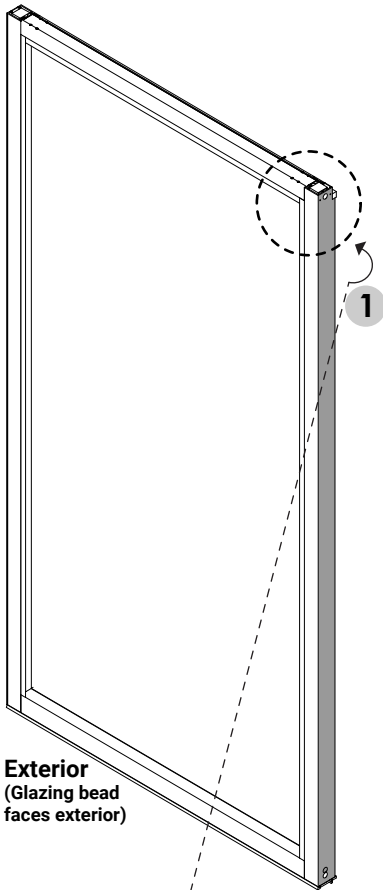
FIG 07

STEP 1- INSTALLATION PREPARATION

Parts List

Door Panels (# dependent on Configuration)

Fixed Panel [FIG 08]



Exterior
(Glazing bead
faces exterior)

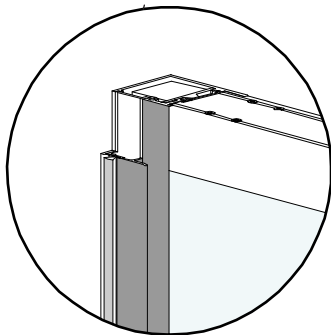
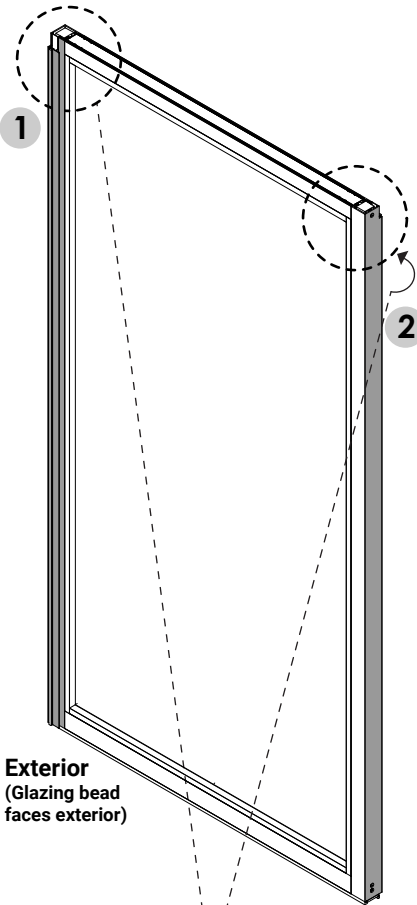


FIG 08

Fixed Panel -
Non - sliding Panel contains
**1 Interlocking Stile on the
Interior side** of the door panel.

Intermediate Panel [FIG 09]



Exterior
(Glazing bead
faces exterior)

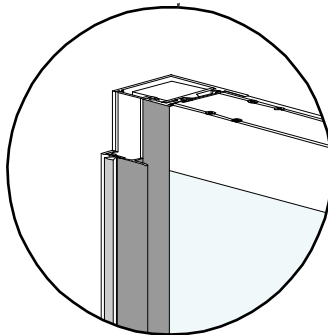
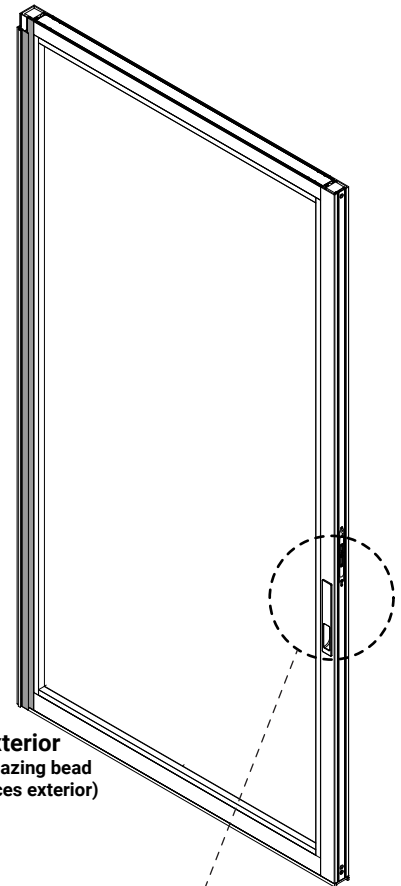


FIG 09

Intermediate Panel -
Panel contains **2 Interlocking Stiles**:
one the Exterior and one on the
Interior of the door panel.

Lock Panel [FIG 10]



Exterior
(Glazing bead
faces exterior)

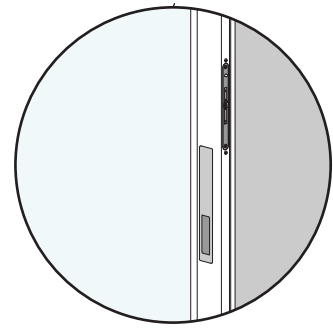


FIG 10

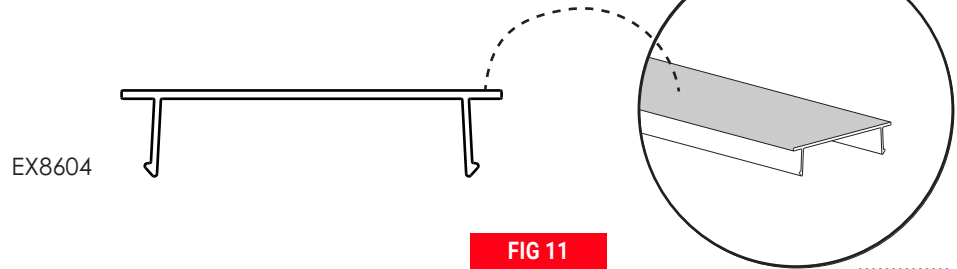
Lock Panel -
Panel contains **1 Interlocking Stile**
and the Handle on the Exterior
of the door panel.

STEP 1- INSTALLATION PREPARATION

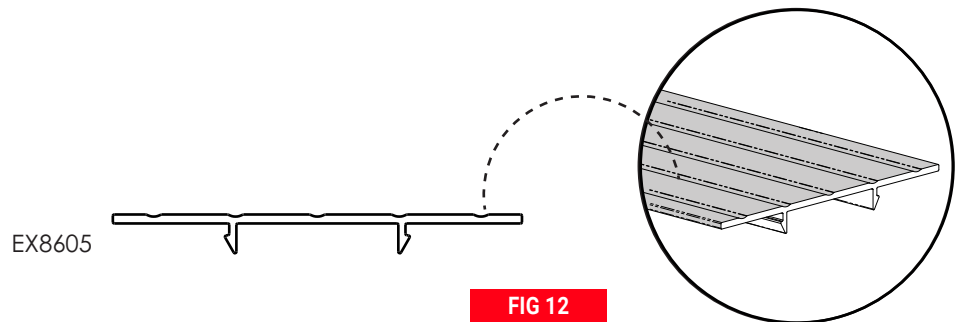
Parts List

Accessories:

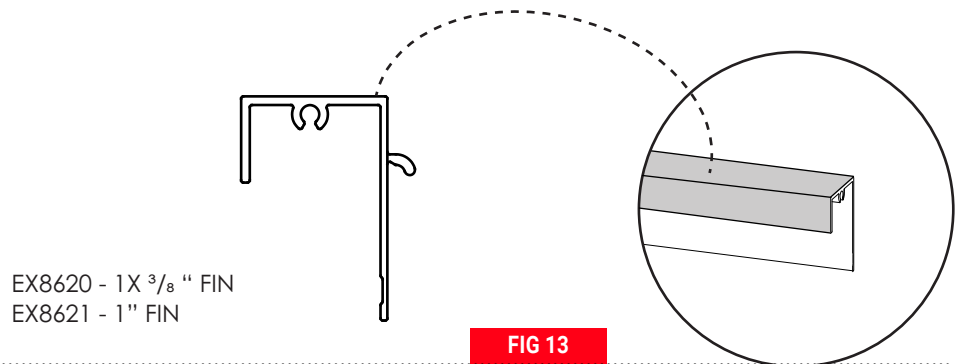
Jamb Cover Plates **[FIG 11]**



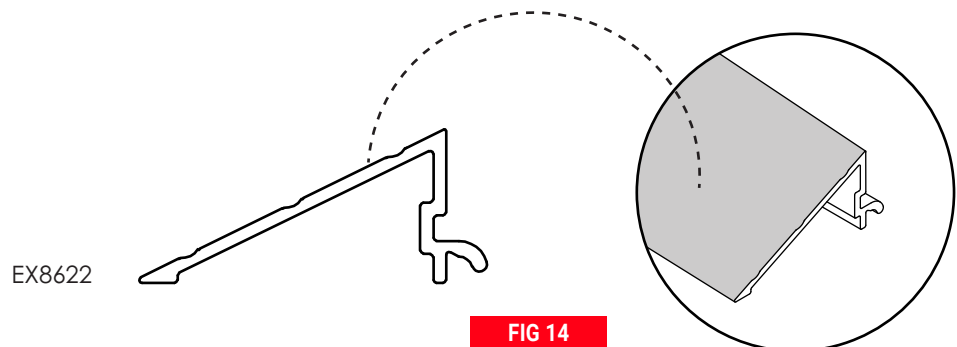
Sill Cover Plates **[FIG 12]**



Flashing Fin **[FIG 13]**
(OPTIONAL)



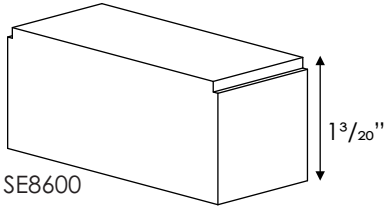
Sill Ramp **[FIG 14]**
(OPTIONAL)



STEP 1- INSTALLATION PREPARATION

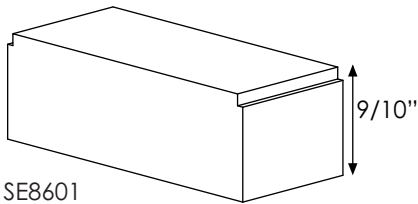
Hardware Box Component List

Hardware Box:



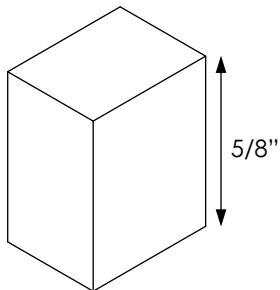
SE8600

FIG 15 - HEAD TRACK PLUG



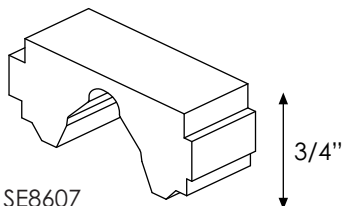
SE8601

FIG 16 - FIXED PANEL HEAD PLUG



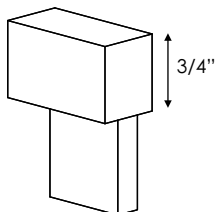
SE8606

FIG 17 - SILL TRACK PLUG A



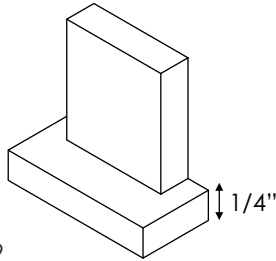
SE8607

FIG 18 - SILL TRACK PLUG B



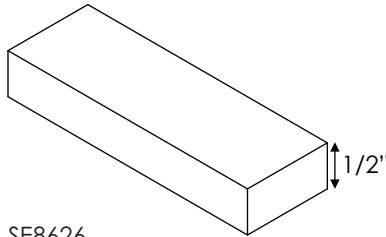
SE8608

FIG 19 - INTERLOCK TOP PLUG



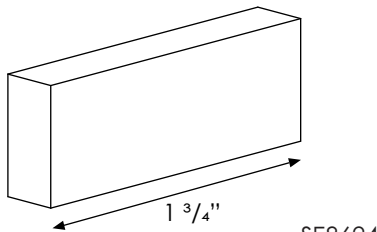
SE8609

FIG 20 - INTERLOCK BOTTOM PLUG



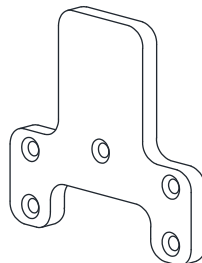
SE8626

FIG 21 - WEEP PLUG



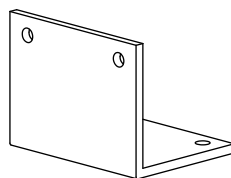
SE8624

FIG 22 - SILL BUMPER



HA8682x

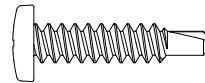
FIG 23 - COLLECTOR PLATE



HA8632x

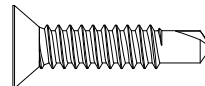
FIG 24 - L- BRACKET

Note: Extra Screws may be provided in the **Hardware Box** .



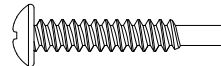
FA0327x

#8-18 X 3/4" PHILLIPS PAN HEAD SELF DRILLING
COLOR MATCHED HEAD x - SS, SSBL, SSWH, SSTN



FA0432x

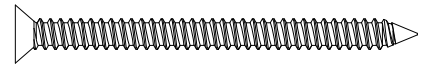
#8 X 3/4" PHILLIPS FLAT HEAD SELF DRILLING
COLOR MATCHED HEAD x - SS, SSBL, SSWH, SSTN



FA8612

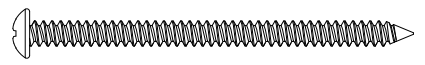
#7-19 X 1" PHILLIPS PAN HEAD LEADER
POINT SHEET METAL SCREW

FIG 25 - ASSEMBLY SCREWS



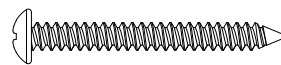
FA8608

#10 X 2-1/2" PHILLIPS FLAT HEAD SHEET METAL SCREW



FA0371SSBG44

#8A X 2 -1/2" PHILLIPS PAN HEAD



FA0316SS

#8X1 -1/2" PHILLIPS PAN SHEET METAL SCREW

FIG 26 - INSTALLATION SCREWS

STEP 1- INSTALLATION PREPARATION

Hardware Box Component List

Hardware Box: Handle styles

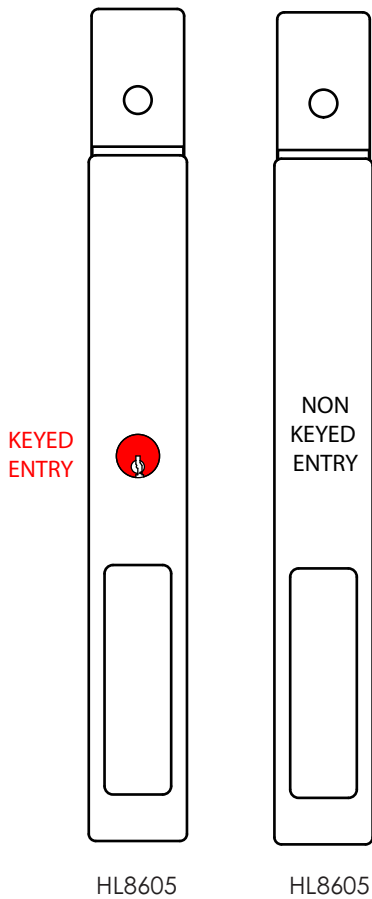


FIG 27 - FLUSH HANDLE

NO ADDITIONAL
ACCESSORY UNIT
WITH FLUSH HANDLE.

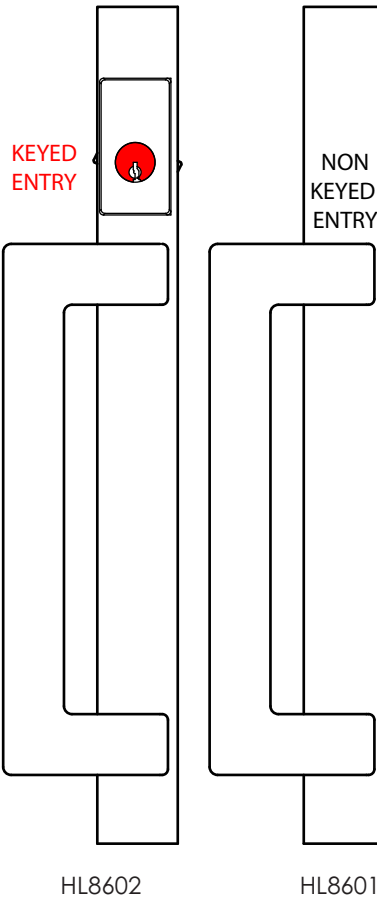
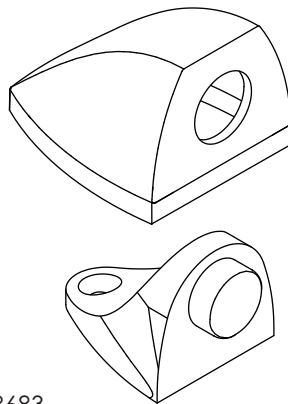


FIG 28- STANDARD HANDLE



HA8683
Paired with Standrad Handle

FIG 29 - ANGLE BUMPER



STEP 1- INSTALLATION PREPARATION

Rough Opening Inspection

Inspect and Prepare the Rough Opening

- Ensure the rough opening is in good condition and sits plumb, level and square.
- Confirm overall width, height and diagonal measurements of rough opening
 - Diagonal measurements should be within 1/8" for openings less than or equal to 20 square feet and 1/4" for openings greater than 20 square feet.
- Framing conditions at the rough opening must be sufficient to support the door unit, framing header above, and permit appropriate integration of the door into the building's water management system. Consider if the roof has been loaded or not. The maximum deflection over the entire length should not exceed 1/8", including when the roof is loaded.
- If the building already has a weather resistant barrier (WRB) installed, it is necessary to integrate the door system into the existing WRB. Milgard recommends that the installer follow the WRB manufacturer's recommendation to prepare this opening. The installer must confirm rough opening preparation will not impact the WRB manufacturer's warranty or otherwise inhibit drainage before proceeding.
- Milgard requires the use of a sill pan to allow for any water to drain to the exterior drainage plane. Sill Pan can be rigid or flexible and is mandatory. Sill Pans to be supplied by others and is not included with the Door System. (See next page for details of a L-metal sill pan method using Liquid applied flashing).
- Multi-slide sills come in a variety of riser heights and should be noted as to the one specified for your application. **[FIG 32]**

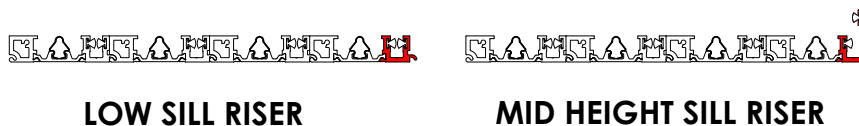


FIG 32

- The height of the finish floor must be determined prior to installation and noted somewhere near the opening.

STEP 1- INSTALLATION PREPARATION

L - Metal Installation

Install 3/4" x 3/4" L - metal aluminum

- Install 3/4" x 3/4" aluminum L-metal the full length of the sill as the raised leg of the liquid applied flashing pan. **[FIG 33]**
- Leave a minimum 1/8" between the door frame and the L-metal. This space will be filled with backer rod and sealant while installing the air & water seal later in this instruction.

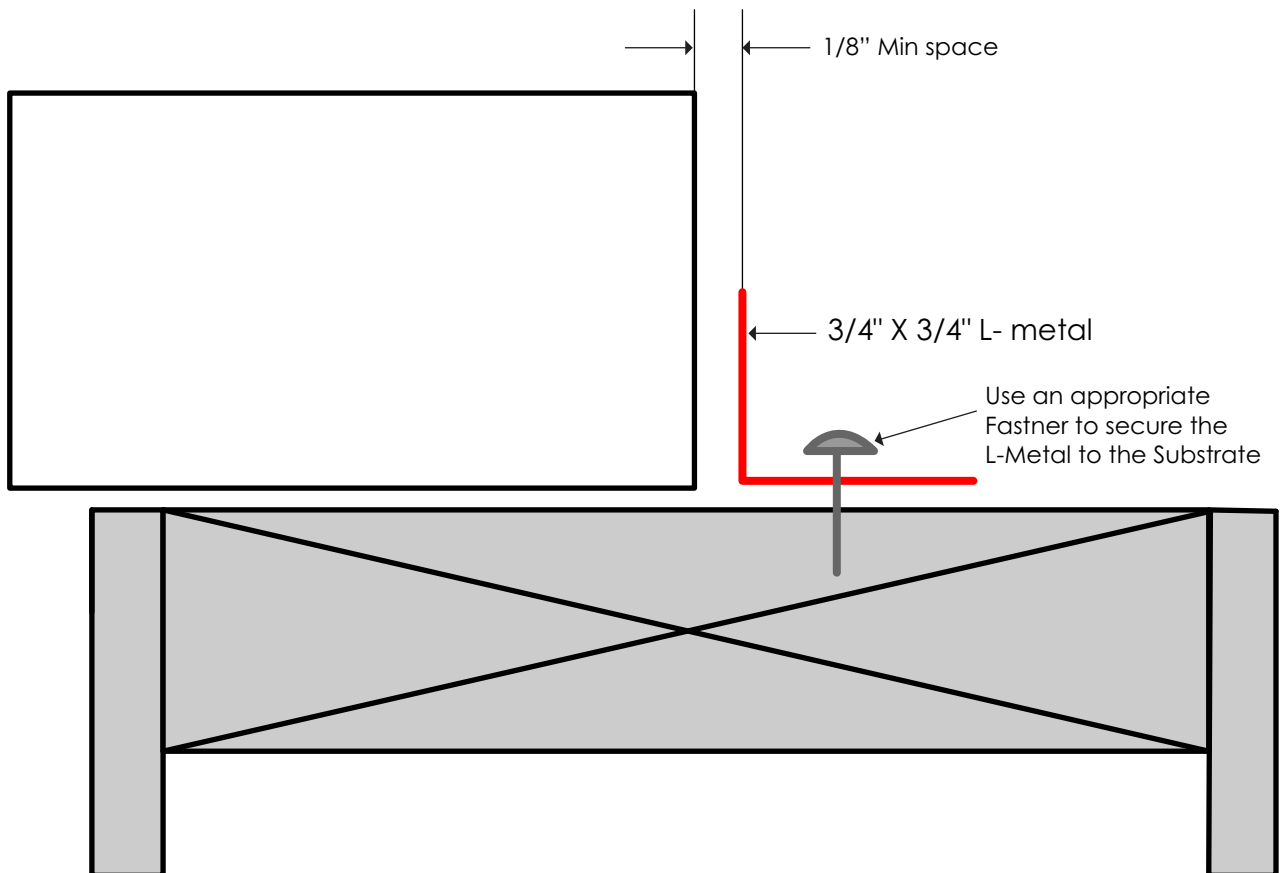


FIG 33

STEP 2- FRAME ASSEMBLY

Gather Frame Components

Prepare parts for Assembly

- Gather frame components in an area with enough flat space to assemble the frame.
Tip: working near the rough opening will minimize the distance assembled frame needs to be moved after assembly and helps to minimize the damage risk to the assembled frame.
- Remove frame components from packaging by removing all straps. Flashing Fin and Sill Ramp can be found in the Accessory Box
- Identify frame component's features. **[FIG 34]**
 (Refer Step 1 : Parts List for additional detail).

Orient and layout the frame pieces for assembly

- Set the Lock Jamb, Fixed Panel Jamb and Head, with the **INTERIOR** face down at the head ends of the Jamb.
- Set the Sill with the **INTERIOR** face down at the Sill ends of the Jamb.

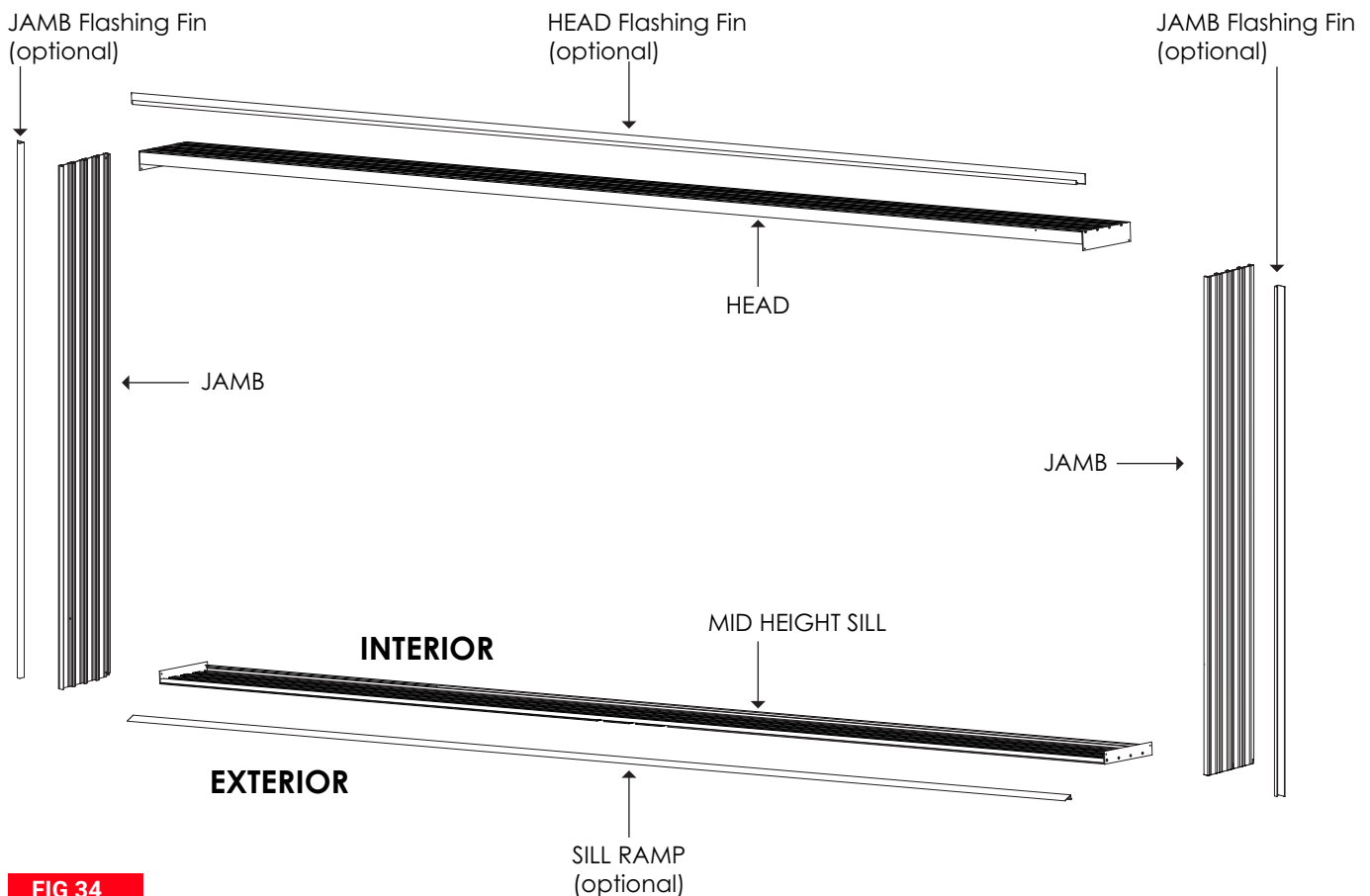


FIG 34

STEP 2- FRAME ASSEMBLY

Door System - Optional Features

Flashing Fin (optional) [FIG 35]

- STEP 1** Dry fit each of the 3 pieces of the Flashing Fin into position by rolling the Flashing Fin's mating feature into the frame's mating slot. Verify cut length, fit and then remove.
- STEP 2** Apply Sealant to the Jamb Flashing Fins, then align mating feature with frame slot and roll it into position.
- STEP 3** Use a screw from the **FA8612** Package at each end of the head Flashing Fin to attach the Flashing Fins on the side jamb assemblies.

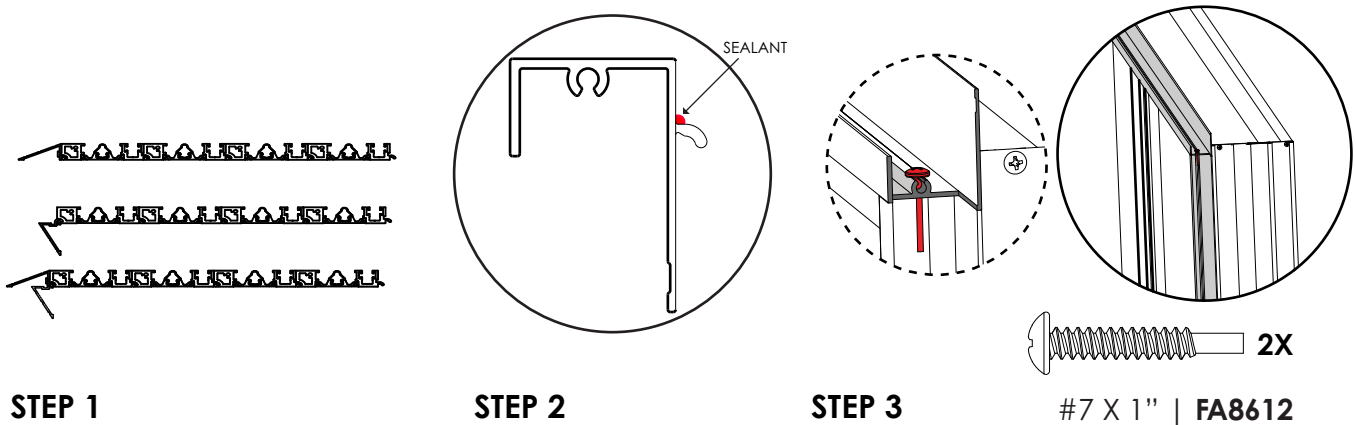


FIG 35

Sill Ramp (optional) [FIG 36]

- STEP 1** Dry fit the Sill Ramp into Sill Assembly by rolling the Sill Ramp's mating feature into the Sill Assembly's mating slot. Verify cut length, fit and then remove.
- STEP 2** Apply Sealant to the Sill Ramp, then align mating feature with frame slot and roll it into position.

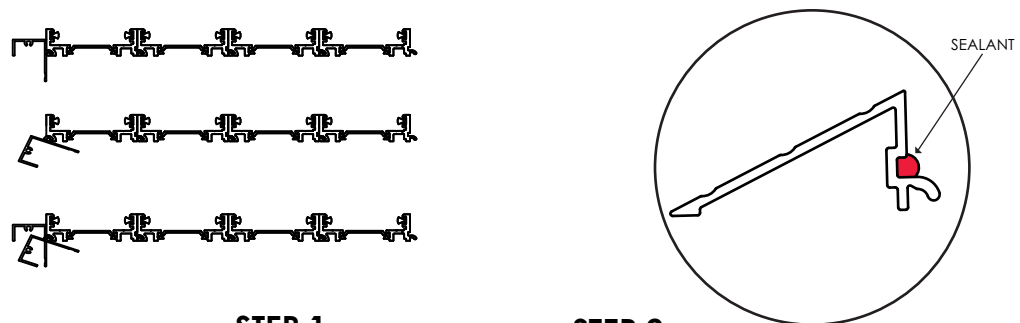


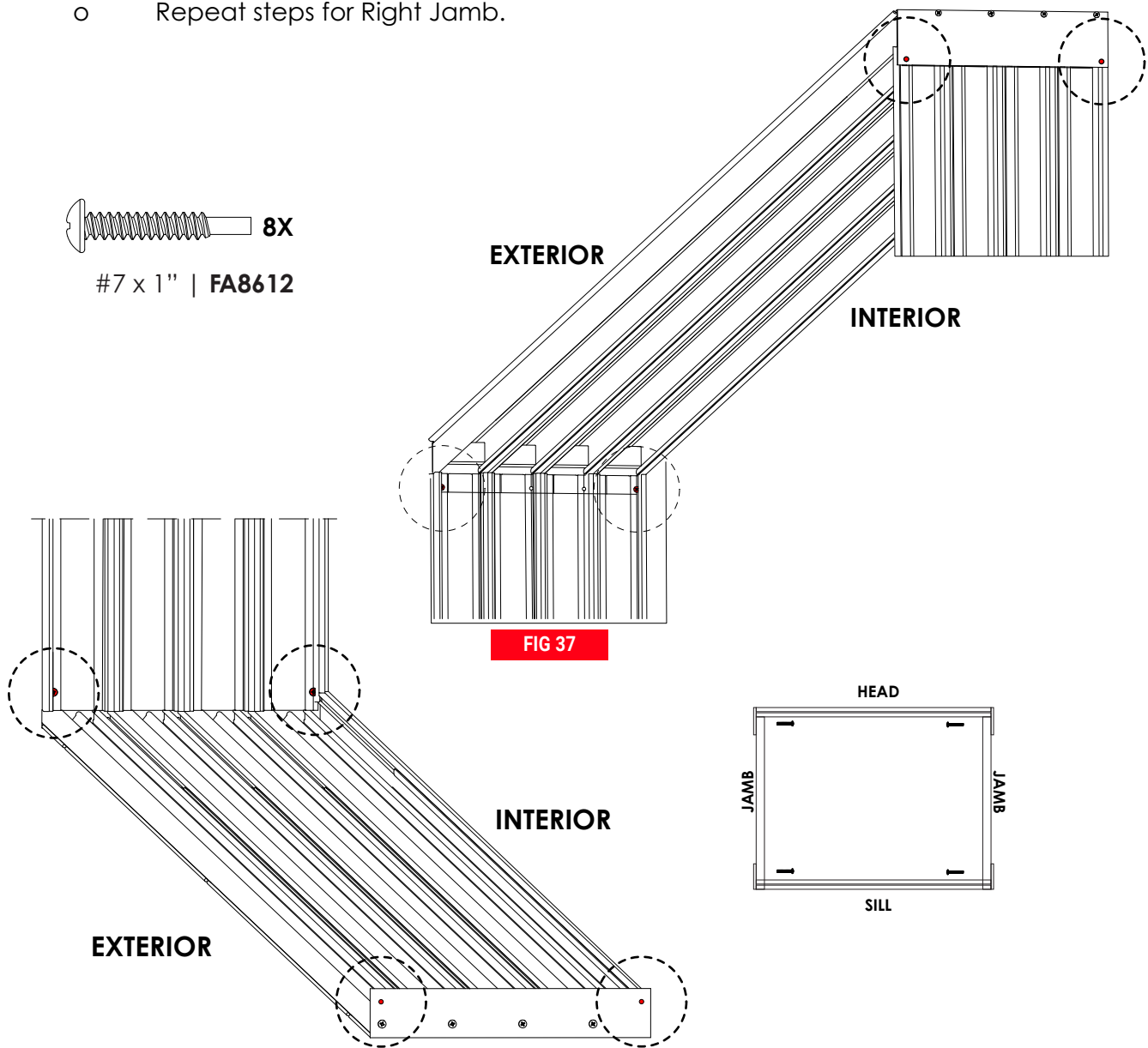
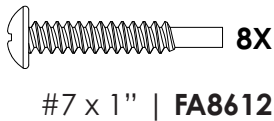
FIG 36

STEP 2- FRAME ASSEMBLY

Orient and Assemble

Frame Assembly (Shown without Optional Features)

- Align the head end of the Left Jamb to the Head and screw together from the inside to the outside as shown. Use screws from **FA8612 Package**. **[FIG 37]**
- Align the Sill end of the Left Jamb to the Sill and screw together from the inside to the outside as shown. Use screws from **FA8612 Package**. **[FIG 38]**
- Use a hacksaw to trim the screws flush with the outside of jamb.
- Repeat steps for Right Jamb.



Flashing Fin NOT SHOWN

FIG 38



STEP 3- FRAME INSTALLATION

Prepare Rough Opening

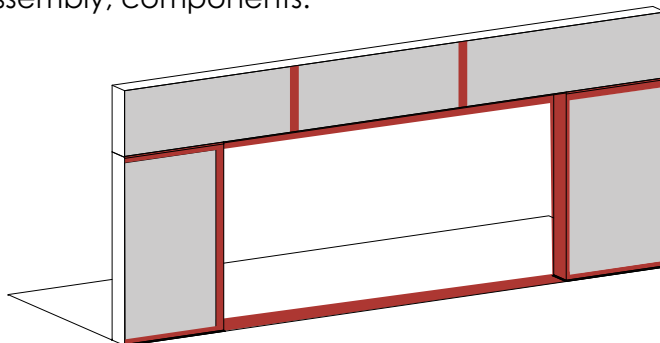
Confirm fit of Frame Assembly

- Transport Frame Assembly to Rough Opening.
- Confirm fit of Frame Assembly to the Rough Opening by “Dry fitting” the Frame Assembly into Rough Opening.
 - Make any adjustments required for proper fit, such as the use of shims.
- Remove Frame Assembly from Rough Opening after confirmation of fit and place the exterior face flat on the ground.

Prepare rough opening: [FIG 39]

- Preparation:

To ensure best results, apply Liquid Applied Flashing to clean surface free of contaminants. Chemical residues, surface oxidation, surface coatings or films may adversely affect adhesion. Pressure-treated or fire-retardant wood and other contaminated surfaces should be cleaned with an Isopropyl Alcohol wipe and allowed to flash-off before application of Liquid Applied Flashing products. Concrete must be in place 3-7 days and free of any curing compounds or form release agents before permeable Liquid Applied Flashing products are applied.
- Liquid flashing application:
 - Apply a bead of Liquid Applied Flashing in each corner of the rough opening and at the sheathing-to stud transition, and fully cover the upturned leg of the L-metal then strike smooth with a DRY tool. Joint widths up to 1/4 inch may be treated with Liquid Applied Flashing and no backer rod. Treat joints ranging from 3/8 inch to 1 inch with backer rod and a Joint & Seam Filler.
 - Apply Liquid Applied Flashing over the exterior inside framing of the rough opening and onto the exterior vertical wall surface 4–6 inches to create a 12–15 mil thick monolithic, pinhole free flashing surface.
 - Allow treated surfaces to skin before installing windows, doors and other wall assembly, components.



EXTERIOR VIEW

FIG 39

STEP 3- FRAME INSTALLATION

Sealing Exterior Flashing Flange

Seal the exterior Door Flange: [FIG 40]

- Install the door “plumb, level and square” into the rough opening prepared with a Joint & Seam Filler and Liquid Applied Flashing.
- To “wet-set” the exterior door flange, install a continuous bead of Sealant on the back of the flange along the top (head) and sides (jamb) of the door.
Note: Make sure to leave the sill flange free of Sealant for drainage capabilities.
- Place the door in the prepared rough opening. Install fasteners along the Head, Sill and Jambs using the prefabricated fastner pattern.
Use **FA0371** to install the Head and the Jambs. Use **FA0316** to install the Sill.
- Limit counter flashing to the top (head) and sides (jambs) of the door. Do not seal the door bottom (sill) or obstruct weeps.
- Apply a thick bead of Liquid Applied Flashing over the outer edge of the door flange at the door head and jambs. Use a dry joint knife, trowel, or chip per brush to spread the wet product to create a seamless membrane, directing bulk water away from the door and the rough opening.
- Apply additional Liquid Applied Flashing as needed to create an opaque, monolithic membrane free of voids or pinholes.
- Ensure both jambs and the head-to-wall interfaces are covered. Do not seal the door bottom (Sill) or obstruct weeps.

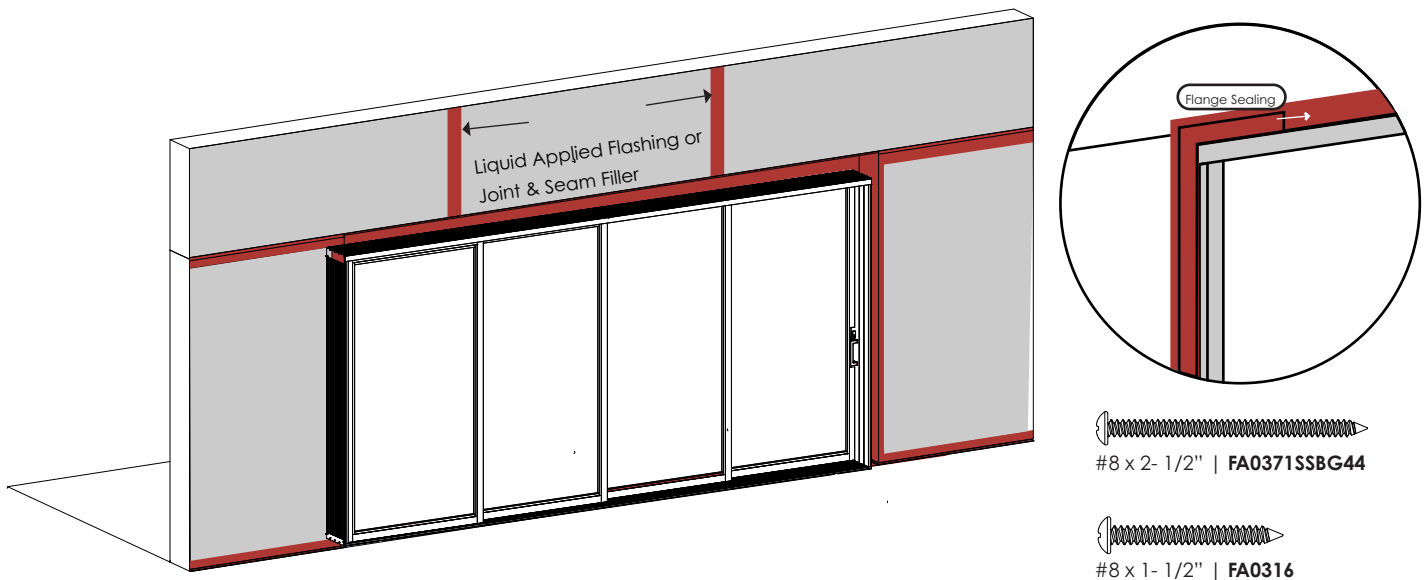


FIG 40 EXTERIOR VIEW

STEP 3- FRAME INSTALLATION

Interior Air and Water Seal

Install the Interior Air and Water Seal using Backer Rod and Sealant [FIG 41]

- Use Sealant as the interior air dam to ensure compatibility with the treated rough opening and create a long-lasting, weather-tight seal. The Sealant prevents bulk water and moist outside air from entering, and conditioned indoor air from escaping around the door. This ties the door into the larger air and water management system and prevents water which may collect in the door frame from entering the conditioned space.
 - **Joint Size** – Sealant depth should be one-half the width of the joint. Maximum sealant depth should be ½ inch (13 mm). Minimum sealant depth should be ¼ inch (6 mm). Minimum joint width should be ¼ inch (6mm).
 - **Joint Backing** – A properly sized non-gassing polyethylene foam backer rod should compress by 25-30% when installed. Install backer rod by compressing and rolling continuously into the joint channel without stretching or puncturing.
 - **Installation** – Install a continuous bead of Sealant without gaps or air pockets. Tool immediately with a dry spatula to ensure complete wetting of the joint bond surface and produce a smooth, concave joint profile.

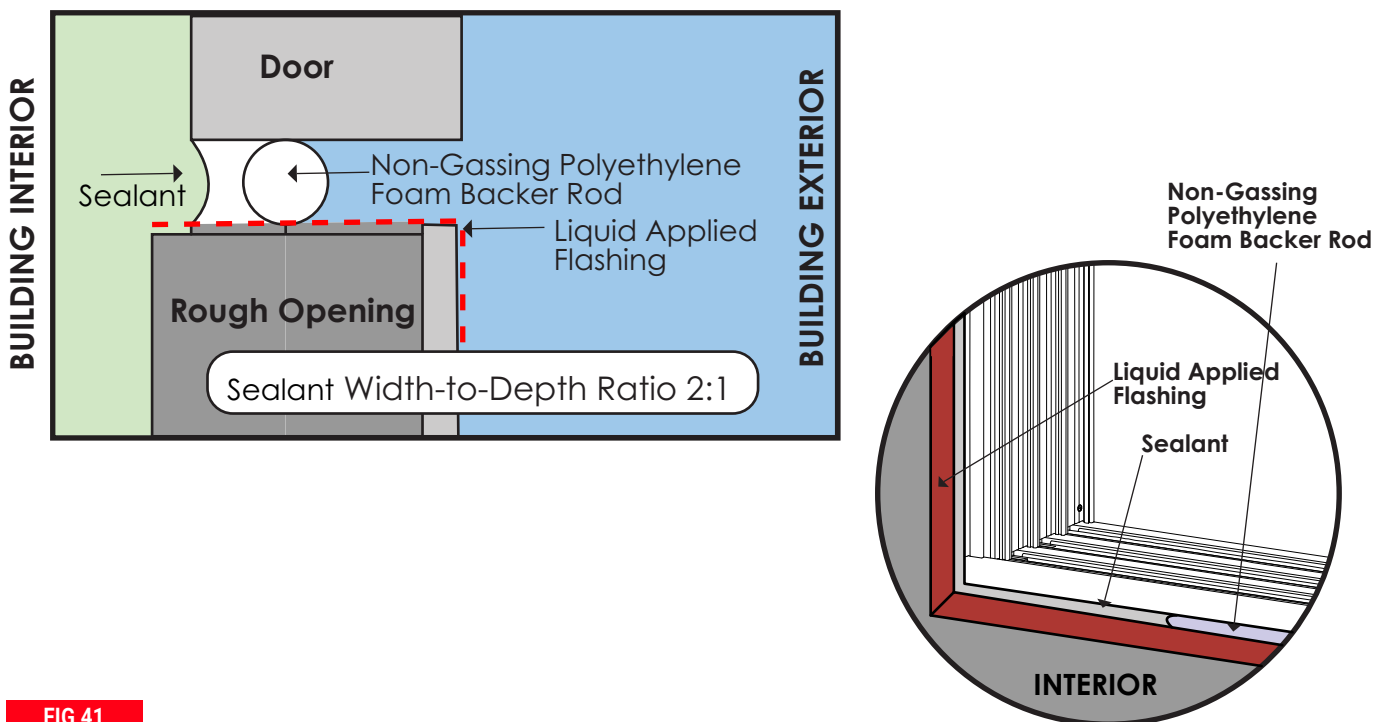


FIG 41

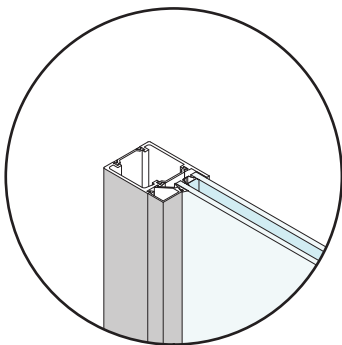


STEP 4- PANEL INSTALLATION

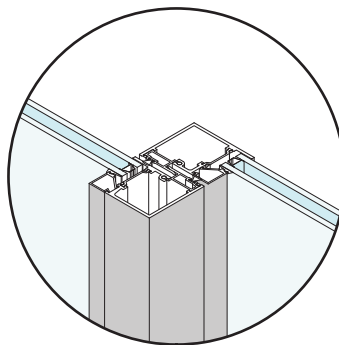
Gather all panels for Installation

SAFETY WARNING: DOOR PANELS ARE HEAVY. BEFORE INSTALLING ENSURE YOU HAVE THE APPROPRIATE NUMBER OF PEOPLE AND TOOLS TO HANDLE AND MANEUVER THE PANELS SAFELY

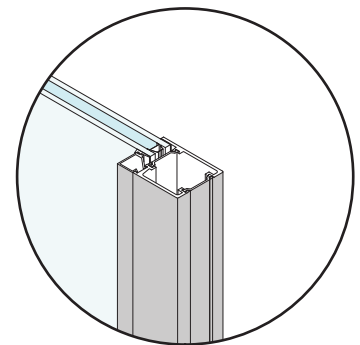
- All Panels must be installed into the frame from the exterior. **[FIG 42]**
- Each Panel will be installed into its own unique Panel Track.
- Panel installation starts with the Locking Panel and ends with the Fixed Panel.



Fixed Panel
Sectional View



Intermediate Panel(s)
Sectional View



Lock Panel
Sectional View

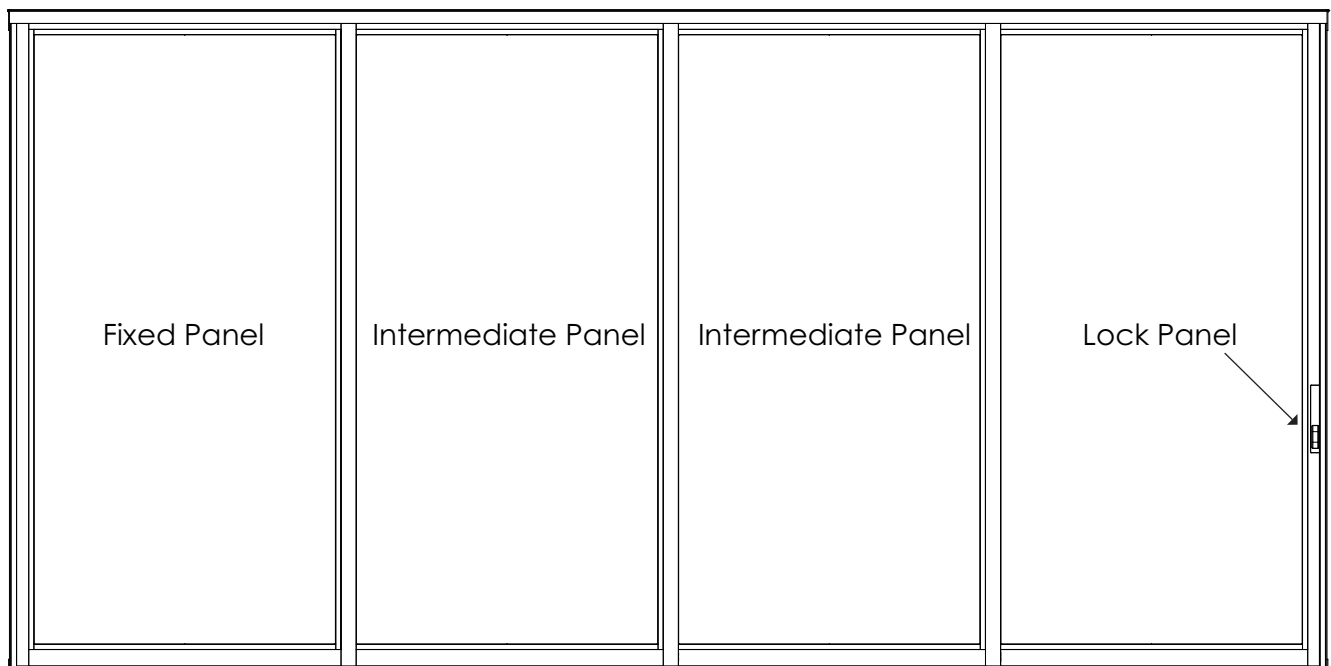


FIG 42

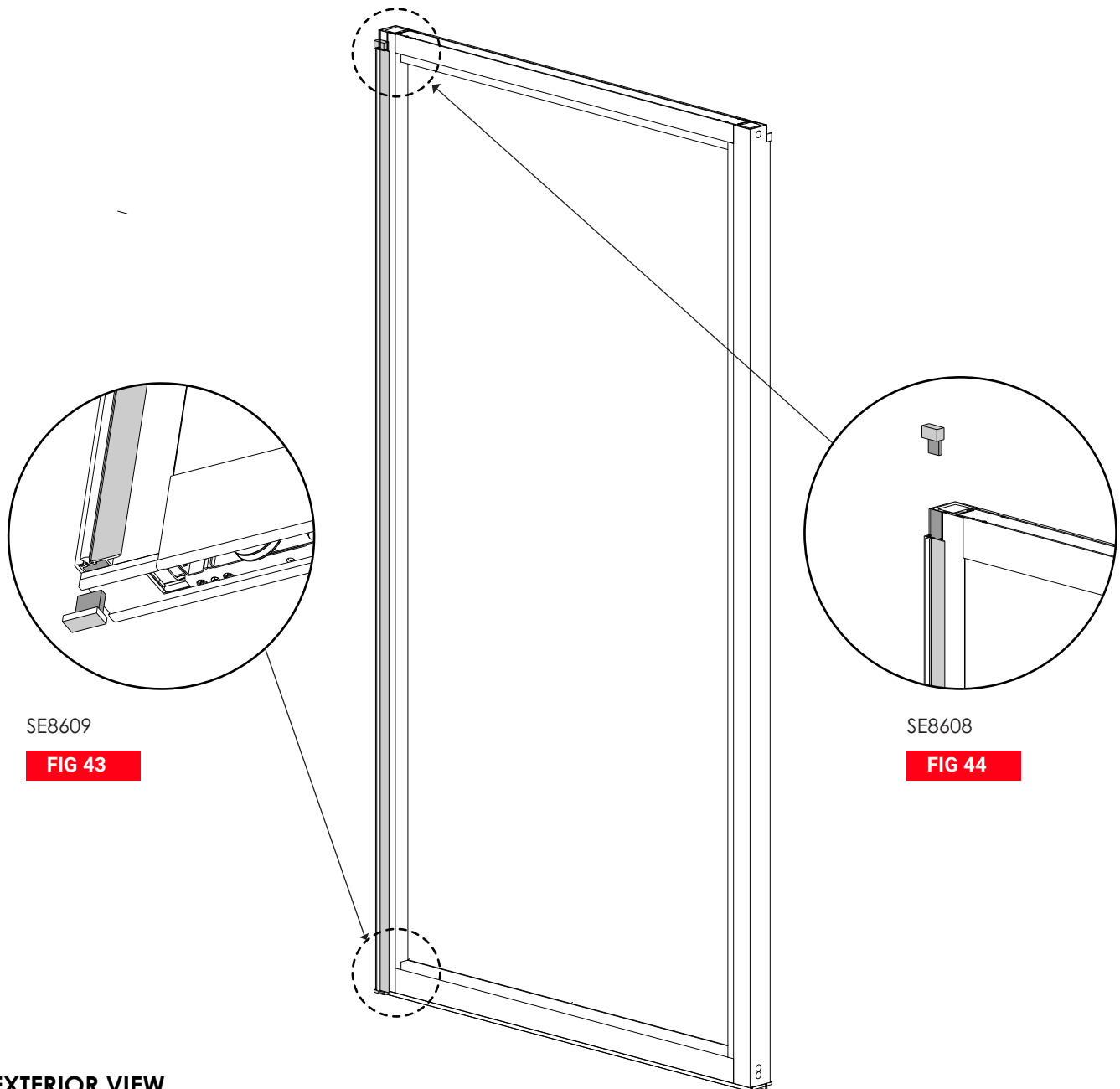
EXTERIOR VIEW

STEP 4- PANEL INSTALLATION

Gather all panels for Installation

Dust Plugs Installation

- Insert the Bottom Interlock Dust Plugs into the holes at the bottom of the interlocks so that base of the dust plug is flush with the bottom of the panel. **[FIG 43]**
- Insert Top Interlock Dust Plugs into the holes at the top of the interlocks so that base of the Dust Plug is flush with the top of the panel. **[FIG 44]**



EXTERIOR VIEW

STEP 4- PANEL INSTALLATION

Panel Installation

Lock Panel Installation

- From the exterior of the building, with the Glazing Stops on the panel to the exterior, lean the top of the panel into the Lock Panel Track at the Head of the frame and then lower it onto the corresponding track in the sill. **[FIG 45]**
- Remove lower Hole Plug only on each end of the panel. **[FIG 46]**
IMPORTANT: Pry the Hole Plug out gently. Do not use sharp tools that may scratch the door.
 - Insert a #3 Phillips screwdriver through the hole at the bottom ends of each stile and adjust the rollers to achieve a light contact of the end sweep to top surface of the Sill. **Note:** Do not raise the panel all the way up until all panels are installed. Otherwise the Top Interlock Dust Plug may be damaged.
- Continue to adjust the rollers until the edge of Lock Panel is parallel to the Lock Jamb and the gap at the head and sill is equal. **[FIG 47]**

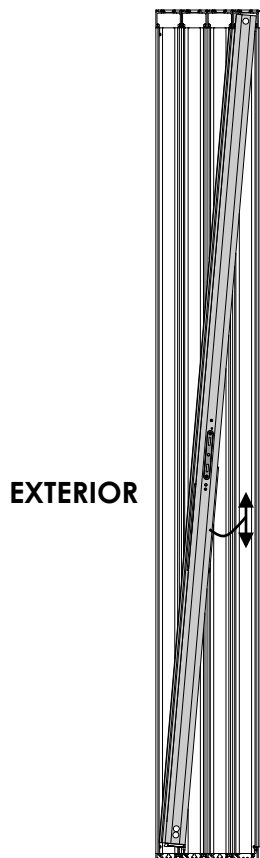


FIG 45

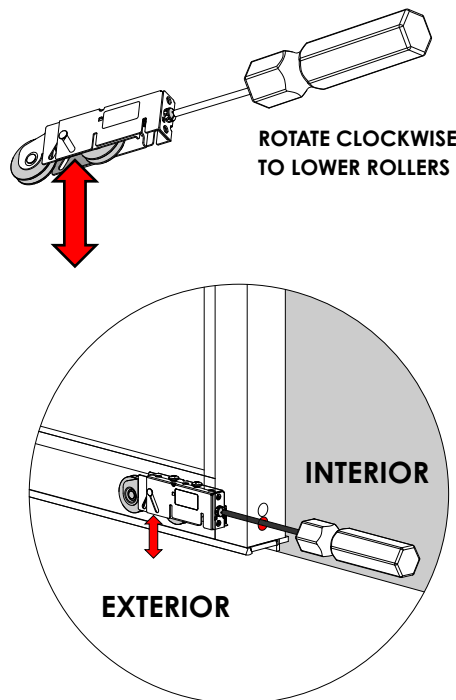


FIG 46

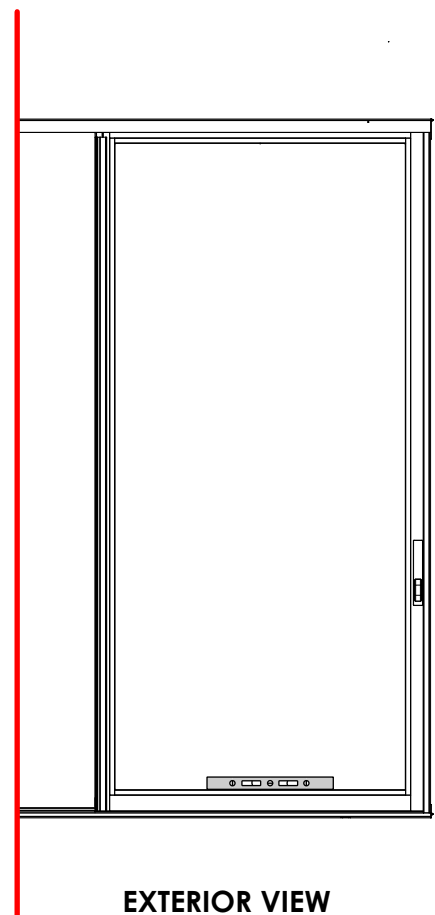


FIG 47

STEP 4- PANEL INSTALLATION

Panel Installation

Intermediate Panel Installation (Skip to Fixed Panel Installation for 2 Panel Doors System Configurations)

- From the exterior of the building, with the Glazing Stops on the panel to the exterior and with a portion of the panel overlapping to Lock Panel, lean the top of the panel into the Intermediate Panel Track at the head of the frame and then lower it onto the corresponding track in the sill. **[FIG 48]**
- Remove lower plug on each end of the panel. **[Refer FIG 46]**
 - Insert a #3 Phillips screwdriver through the hole at the bottom ends of each stile and adjust the rollers to achieve a light contact of the end sweep to top surface of the Sill. **Note:** Do not raise the panel all the way up until all panels are installed. Otherwise the Top Interlock Dust Plug may be damaged.
- Continue to adjust the rollers until the edge of Intermediate Panel is parallel to the edge of the panel next to it and the gap at the Head and Sill is equal. **[FIG 49]**

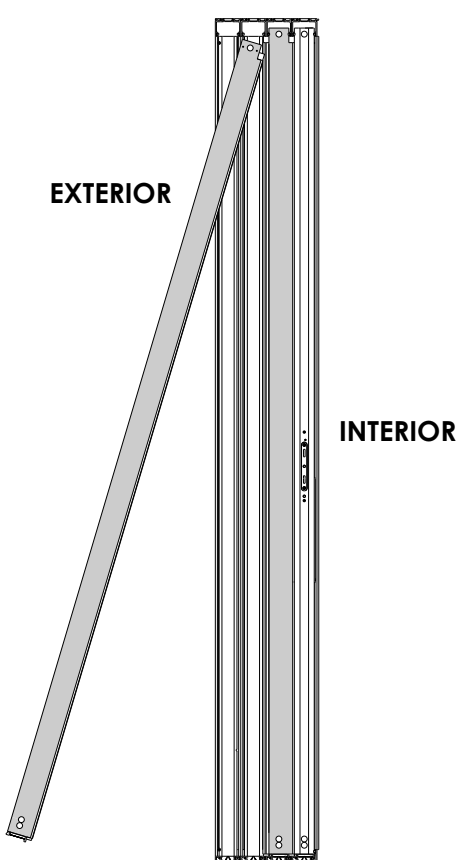


FIG 48

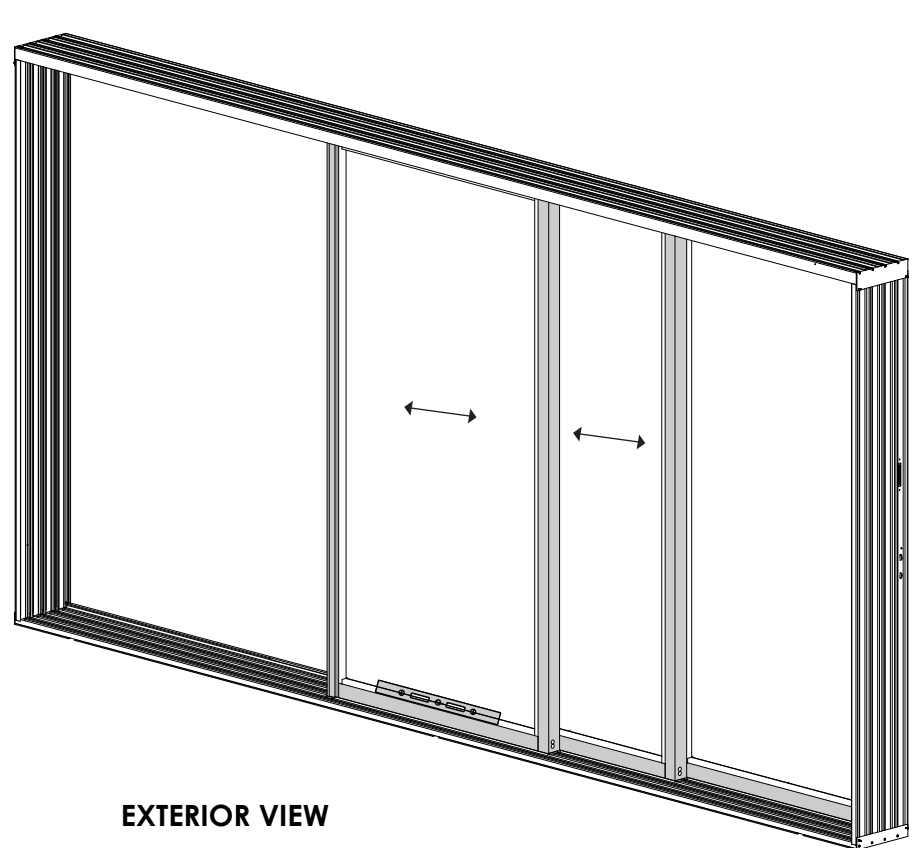


FIG 49

STEP 4- PANEL INSTALLATION

Panel Installation

Fixed Panel Installation

- From the exterior of the building, with the Glazing Stops on the panel to the exterior and with a portion of the panel overlapping the last panel installed, lean the top of the panel into the Fixed Panel Track at the head of the frame and then lower it onto the corresponding track in the sill. **[FIG 50]**
- Remove lower plug on each end of the panel. **[Refer FIG 46]**
 - Insert a #3 Phillips screwdriver through the hole at the bottom ends of each stile and adjust the rollers to achieve a light contact of the end sweep to top surface of the sill. Note: Do not raise the panel all the way up until all panels are installed. Otherwise the Top Interlock Dust Plug may be damaged.
- Continue to adjust the rollers until the edge of Fixed Panel is parallel to the edge of the panel next to it and the gap at the head and sill is equal. **[FIG 51]**
- Slide the panel completely into the Fixed Panel Jamb.

Note: The Fixed Panel will be permanently anchored in place in a following step.

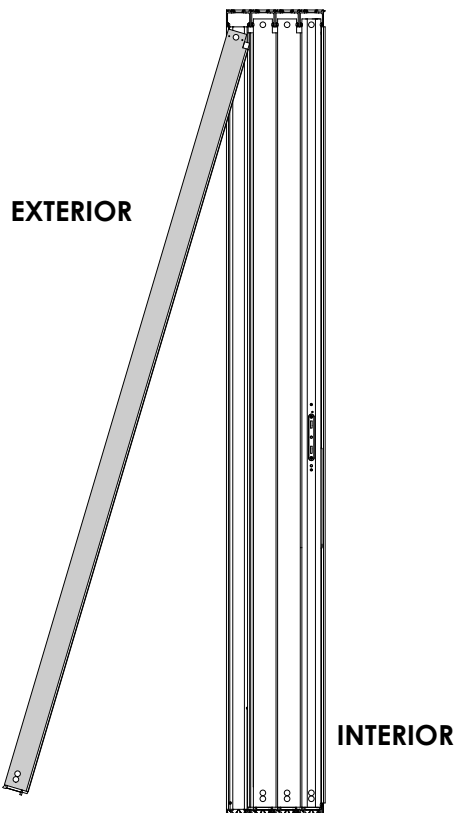


FIG 50

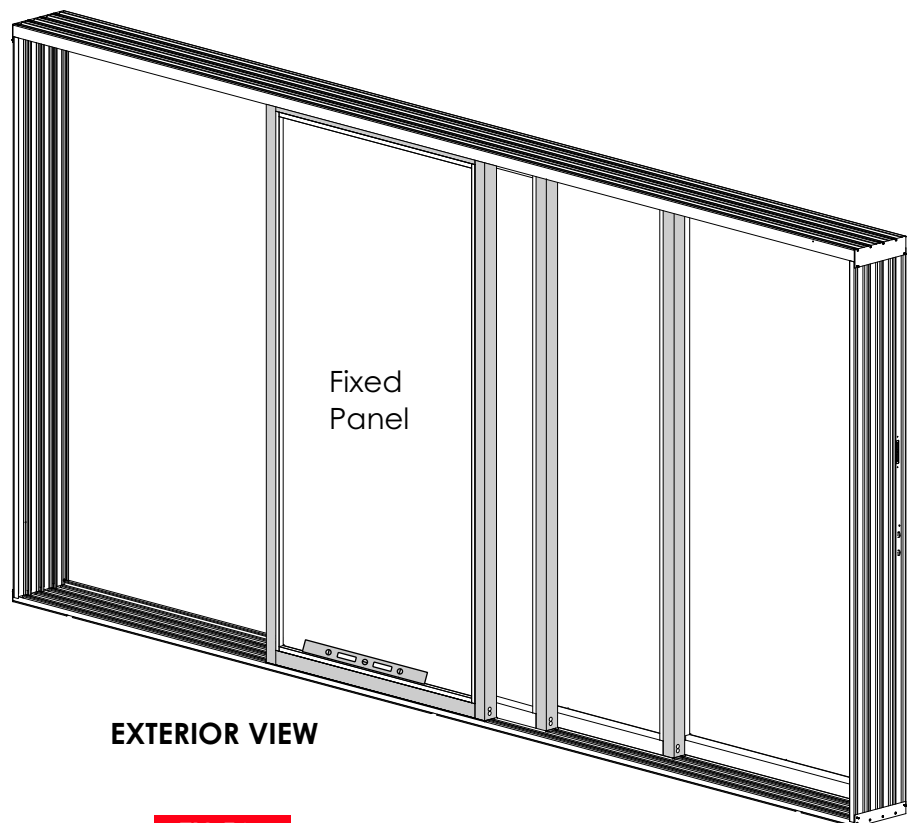


FIG 51

STEP 4- PANEL INSTALLATION

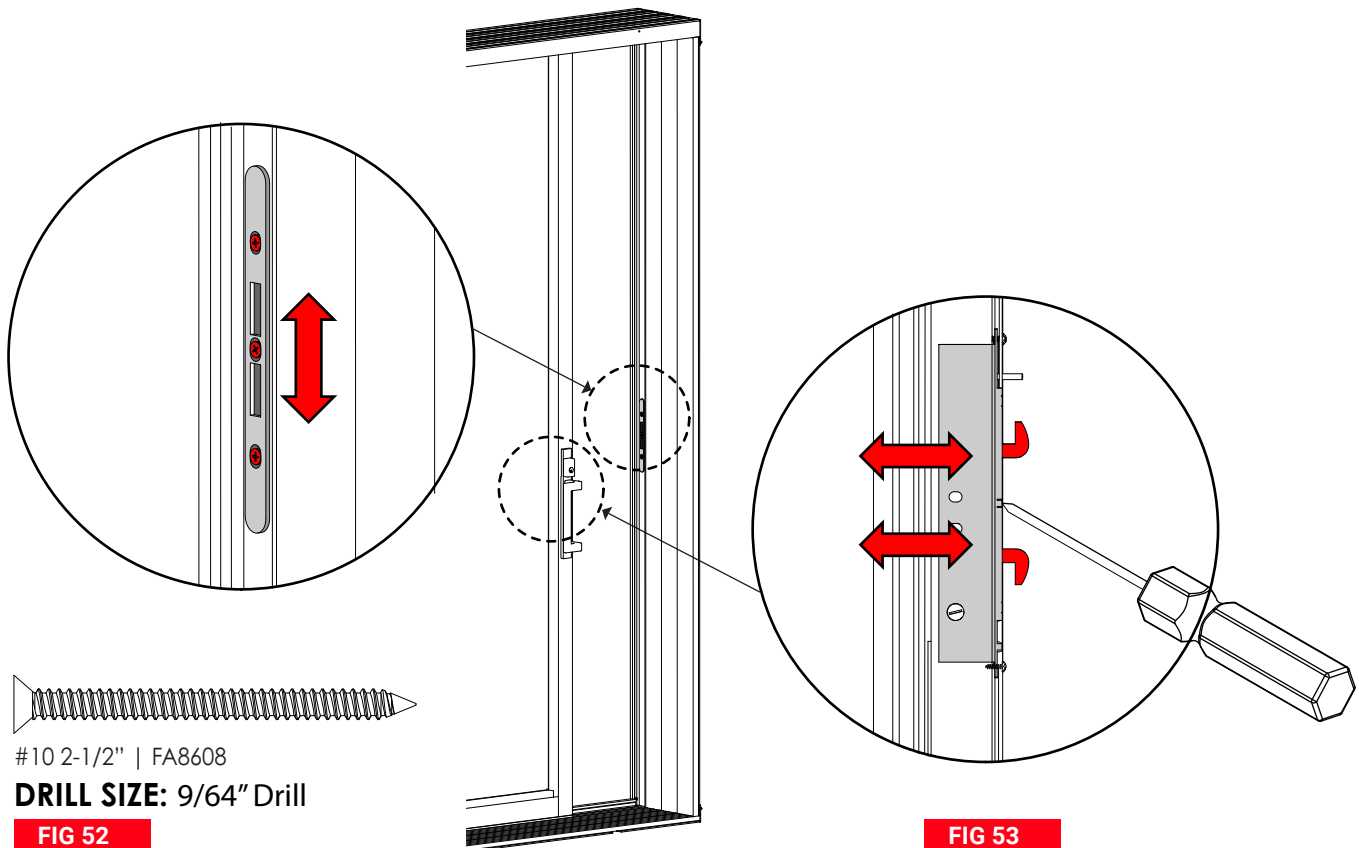
Mortise Lock Adjustment

Final Adjustments

- Make final adjustment to the panel rollers to achieve the optimum alignment throughout the entire door system.
- Re-install all bottom plugs into the panels.

Alignment and engagement of Strike Plate and the Lock

- Lock Alignment. **[FIG 52]**
 - Remove the two machine screws that hold the Strike Plate in place.
 - Move Strike Plate up or down until it is aligned with the lock.
 - TIP:** Make all adjustments using the smaller screws (already on strike plate).
 - Replace each small screw with the screws from the **FA8608 Package**.
- Lock Engagement. **[FIG 53]**
 - Open the Lock Panel.
 - Adjust the lock using the slotted screw in the center of the lock.

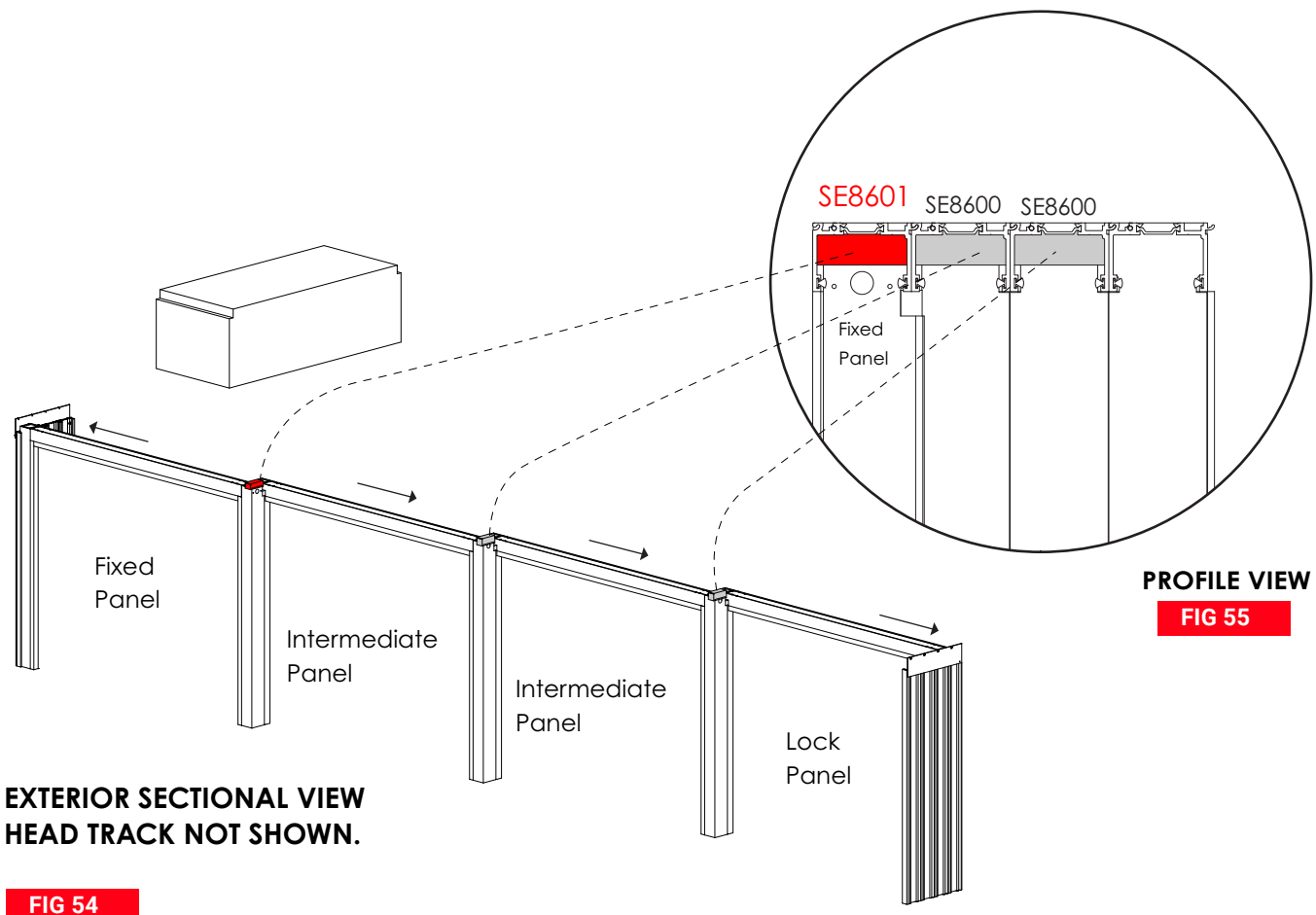


STEP 4- PANEL INSTALLATION

Fixed Panel Installation

Secure the Fixed Panel

- Lock the Lock Panel into the Lock Jamb.
- Push the Intermediate Panels towards the Fixed Panel until the interlocks of each Intermediate Panel is fully engaged. **[FIG 54]**
- Push Fixed Panel fully into Fixed Panel Jamb.
- Verify weather-strip engagement between the Fixed Panel and the Fixed Panel Jamb.
- Install the Foam Head Dust Plugs in the Head Track of every Intermediate Panel so that the dust plug is flush up against the Intermediate Panel from the exterior of the door. Use plugs from the **SE8600 Package. [FIG 55]**
- Insert the Foam Head Fixed Dust Plug above the Fixed Panel flush with the side of the panel. Use plug from the **SE8601 Package. [FIG 55]**

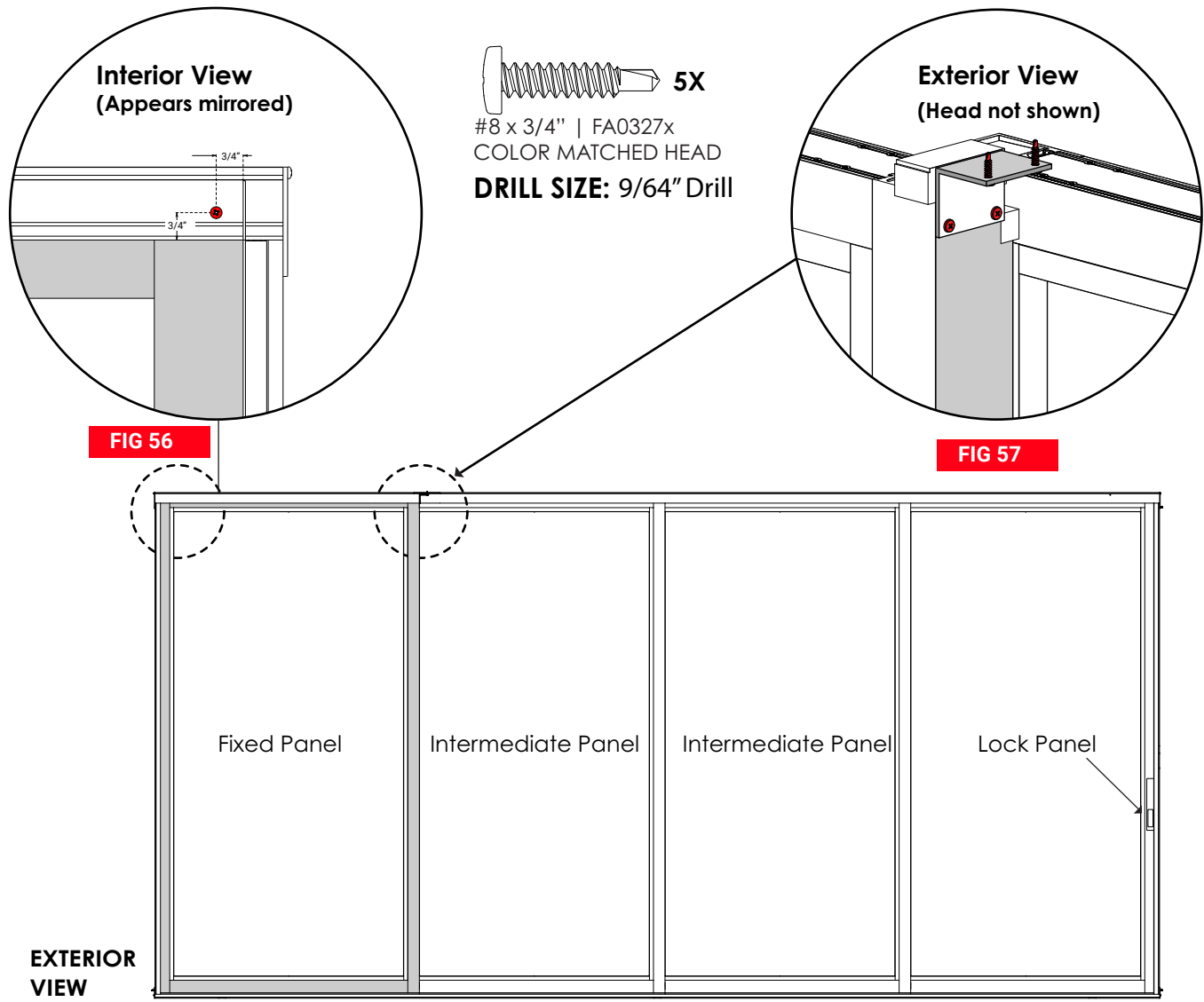


STEP 4- PANEL INSTALLATION

Fixed Panel Installation

Locate and Secure the L-clip in the Frame Head's Fixed Panel Track

- Place L-clip so that one face contacts the Fixed Panel at the top of the stile AND the other face of the L-clip contacts the Head Track.
- Predrill and install four screws from the **FA0327x Package**, to attach the L-clip to the Fixed Panel stile and Head as shown. **[FIG 56]**
Note: The Fixed Panel needs to be pushed all the way towards the Jamb before marking L-clip location.
- Using the detail below, Install one screw from the **FA0327x Package** as detailed in the **Interior View**. **[FIG 57]**



STEP 5- ACCESSORY INSTALLATION

Gather and Install Accessories

Handle Set

- Refer to Handle Set Instructions included in Handle Set Box.
- Handle installation screws are included in Handle Set Box.

Angle Bumper is used with the Non-Flush Handle Set only

- Predrill holes and secure with screws from the **FA0432 Package**
 $1\frac{1}{4}$ " distance from the bottom of the panel and
 3 " from the edge of locking edge. **[FIG 58]**

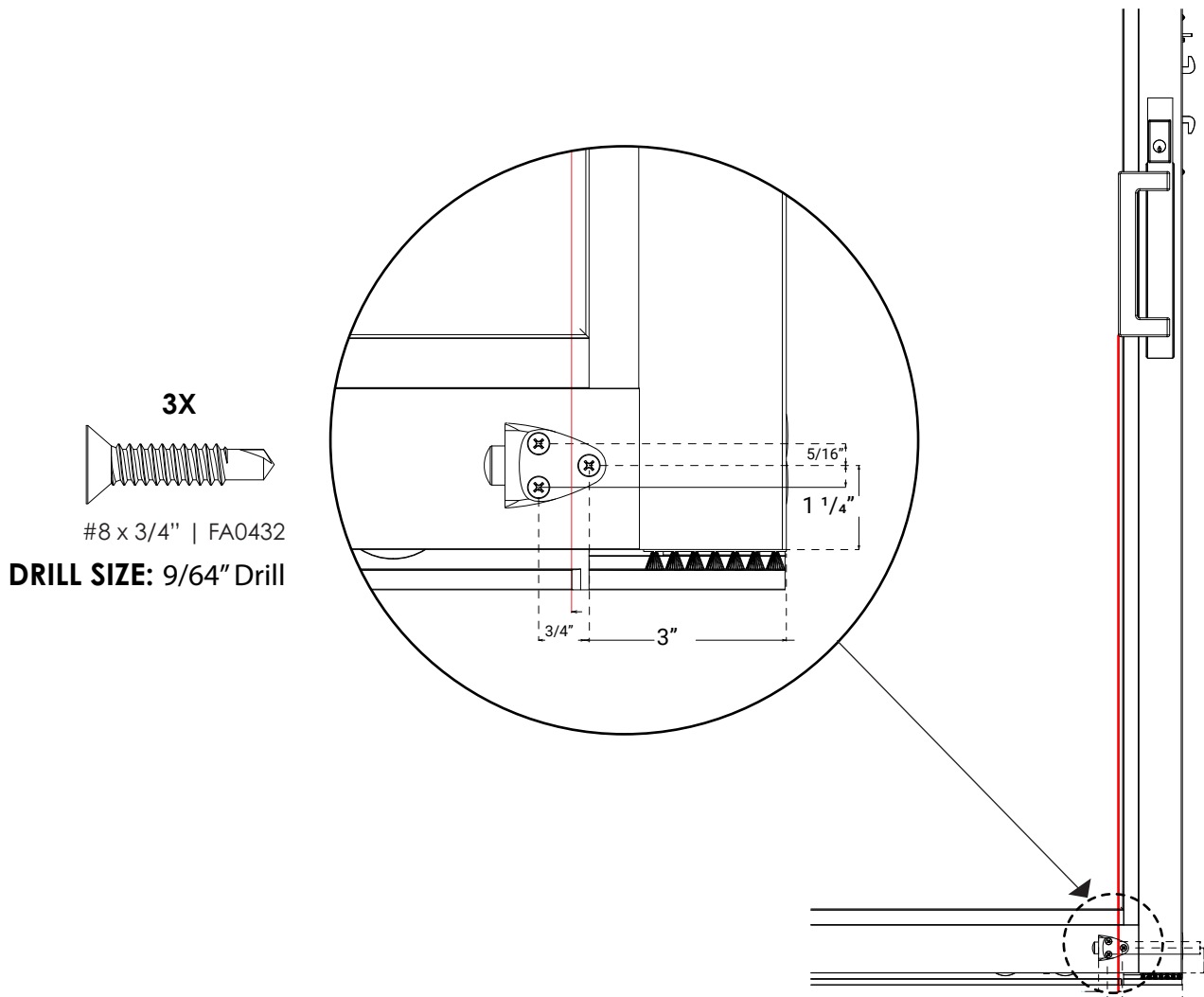


FIG 58

EXTERIOR VIEW

STEP 5- ACCESSORY INSTALLATION

Gather and Install Accessories

Collector Plates

- Predrill and secure with screws from **FA0432 Color Matched Package** distance from the top of the interior of each Intermediate Panel. **[FIG 59]**

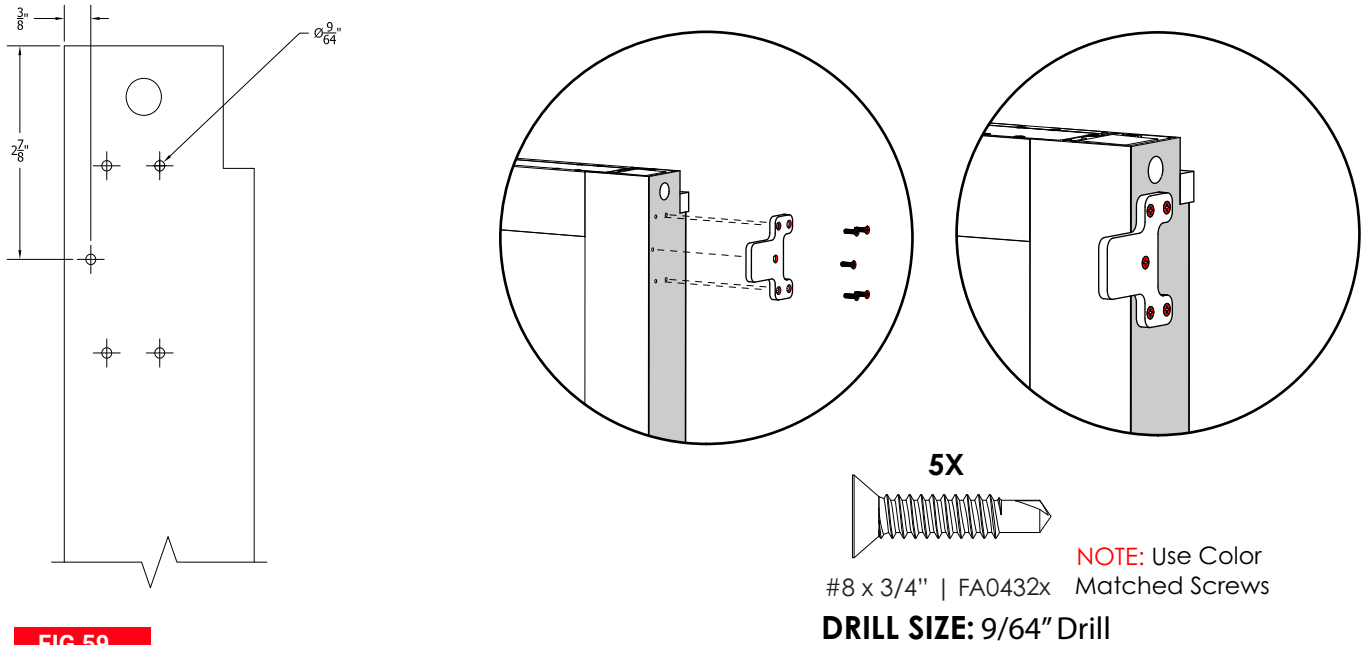


FIG 59

Dust Plugs

- With the door in the closed and locked position, apply the Angel Track Dust Plugs over the Angel Track at the sill end of each Intermediate and Fixed Panel. Use SE8606 and SE8607. **[FIG 60]**

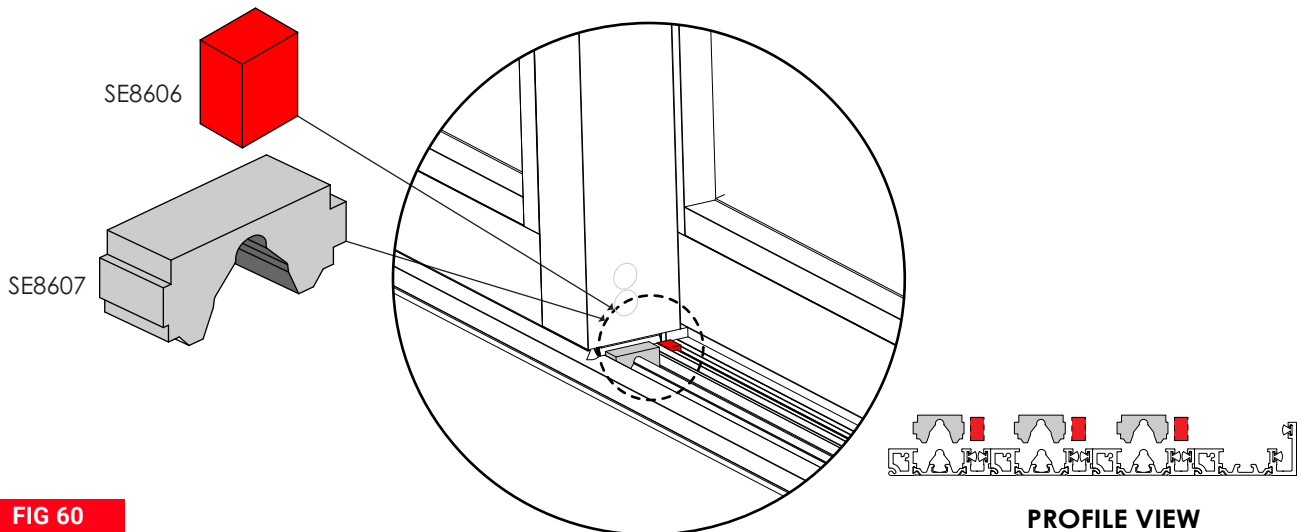


FIG 60

STEP 5- ACCESSORY INSTALLATION

Gather and Install Accessories

SILL BUMPER

- o With the door in the closed and locked position, place the Sill Bumper into each sill channel at the end of each Intermediate and Lock Panel
Use SE8624 [FIG 61]

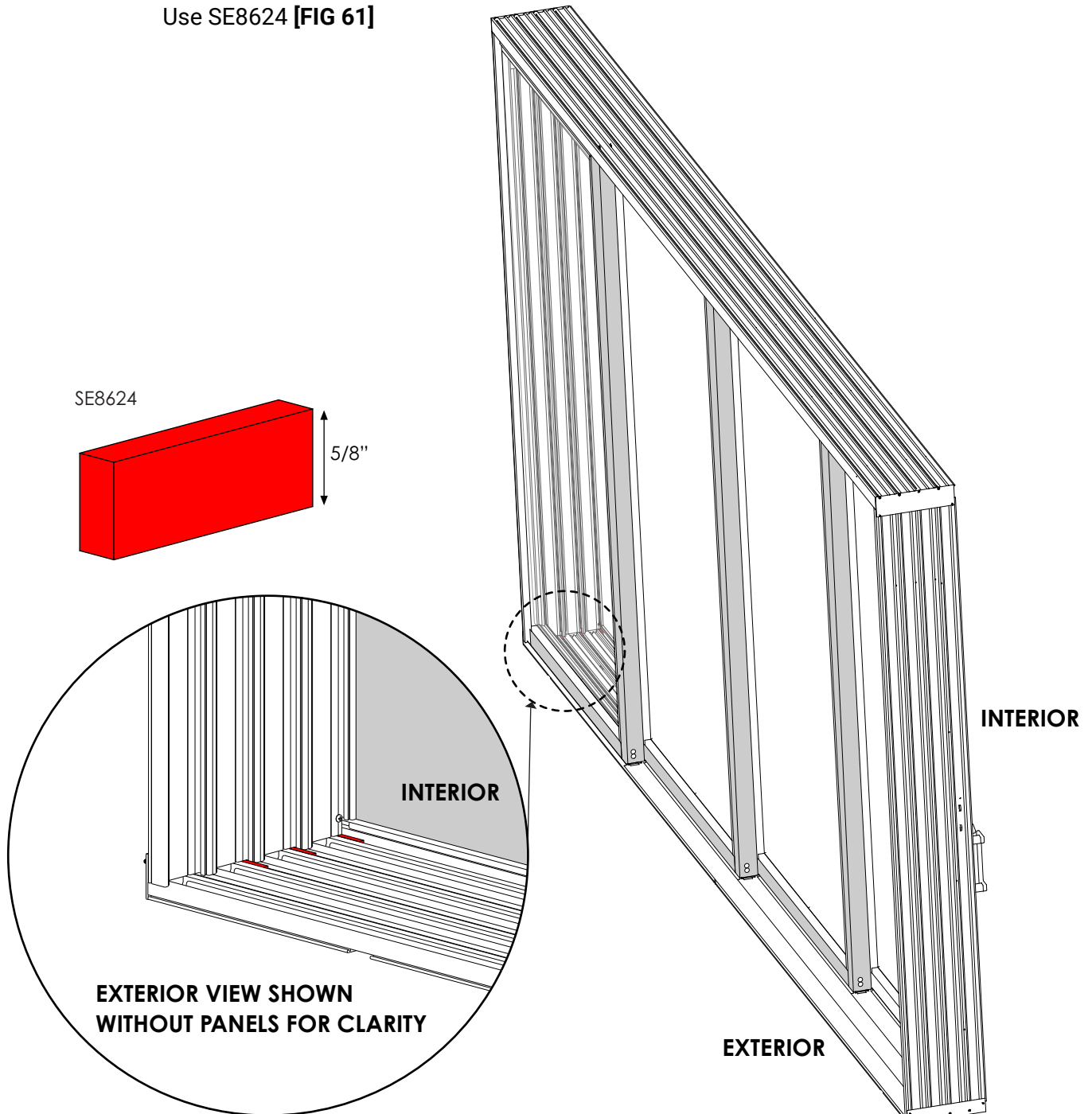


FIG 61

STEP 5- ACCESSORY INSTALLATION

Gather and Install Accessories

Side Jamb Covers

- Remove liner from the adhesive tape located on the back of the Jamb Cover.
- Place Side Jamb Cover into groove located in the Jamb Track. **[FIG 62]**
- Tap into place using a rubber mallet on the opposite side.
- Repeat for each track of each Jamb except the Lock Panel Track. **[FIG 63]**

If your door system has the **Mid Height Sill Riser (optional)**, 1 jamb cover will have a notch at the bottom and this cover will be applied to the interior most track.

NOTE: Install the cover carefully. Once the cover is installed, removing it for any adjustment may cause damage to the part.

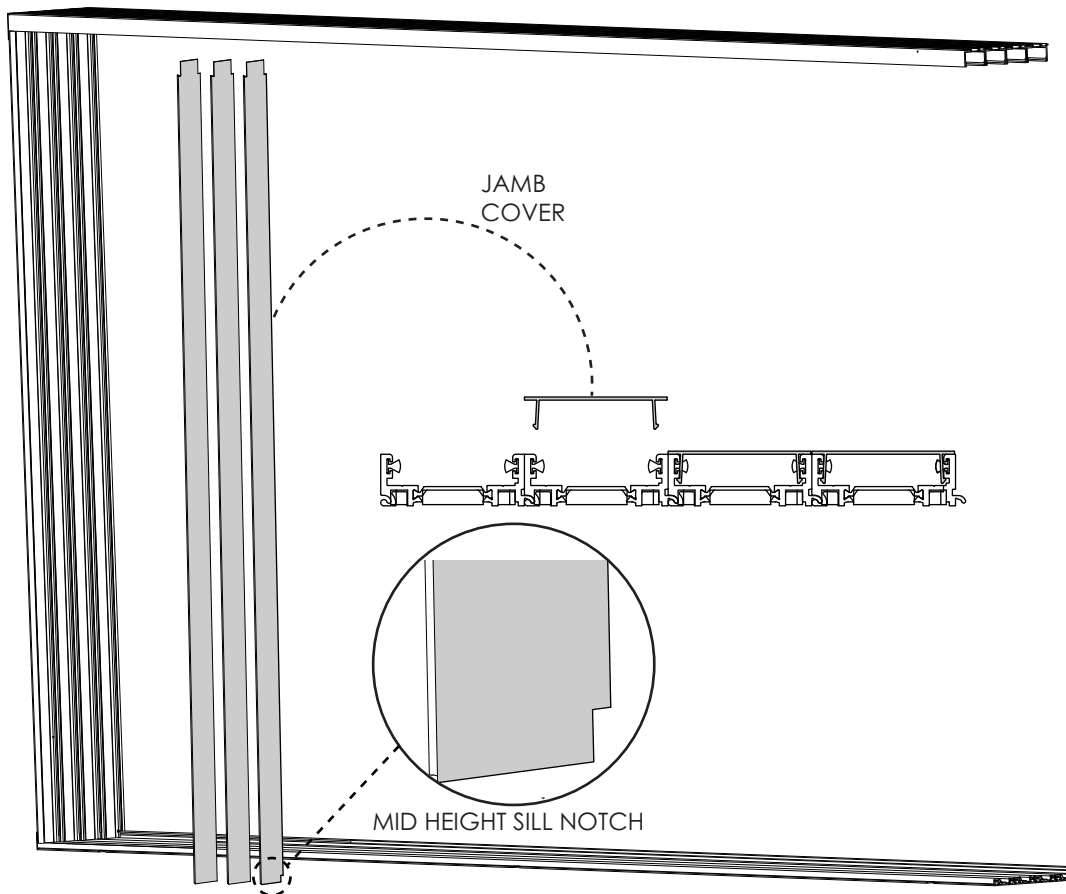


FIG 62

EXTERIOR VIEW

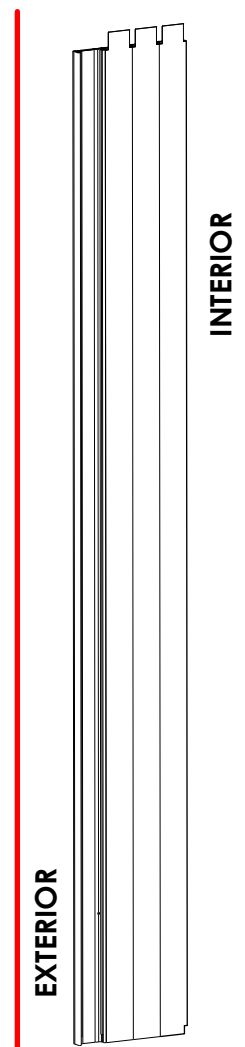


FIG 63

STEP 5- ACCESSORY INSTALLATION

Gather and Install Accessories

Sill Track Covers

- Remove liner from the adhesive tape located on the back of the Sill Track Cover.
- Place Sill Track Cover into the groove located in the Sill Track according to each cover's length. **[FIG 64]**
- Tap into place using a rubber mallet on the opposite side.
- Repeat for each track of Sill except the Lock Panel Track.

NOTE: Install the cover carefully. Once the cover is installed, removing it for any adjustment may cause damage to the part.

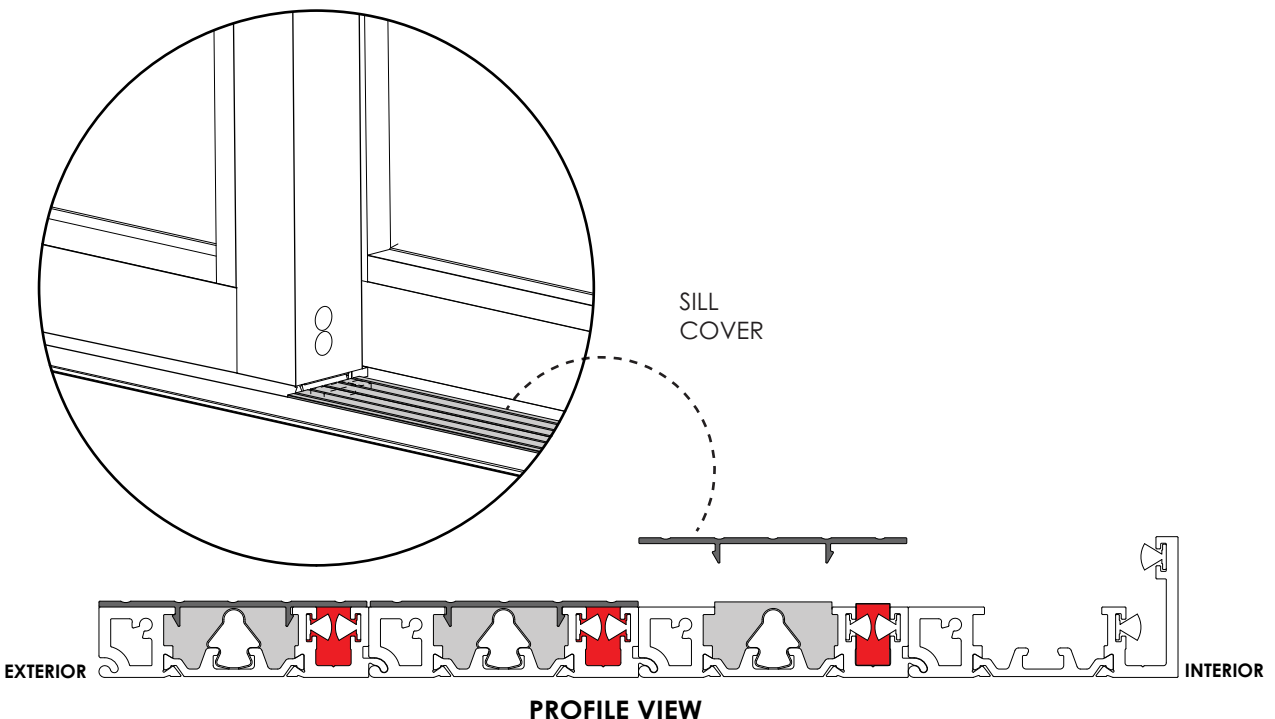
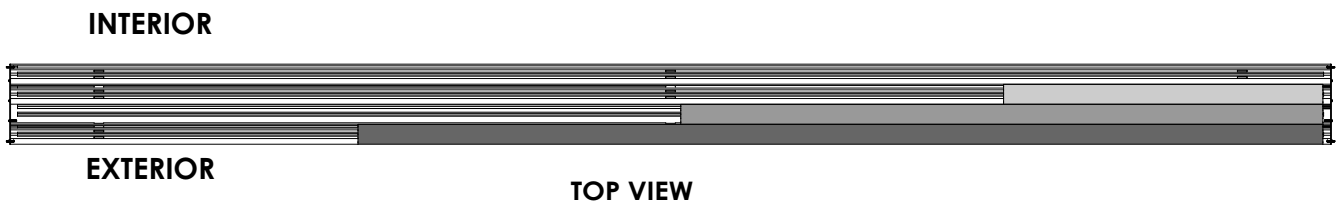


FIG 64