

**Cross Section Drawing**  
**AX550 Bi-Fold Doors 4L1R Tall Sill**  
**Block Frame**



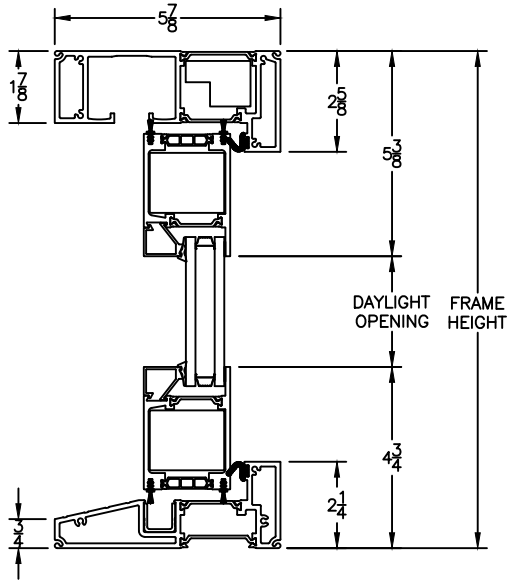
*Clearly the best.™*

CAD File Scale	View	File Name	Units	Revision
NTS	Horizontal & Vertical	AX550_11621_BI_4L1R_Tall_Sill_Block	Inch	02/2021

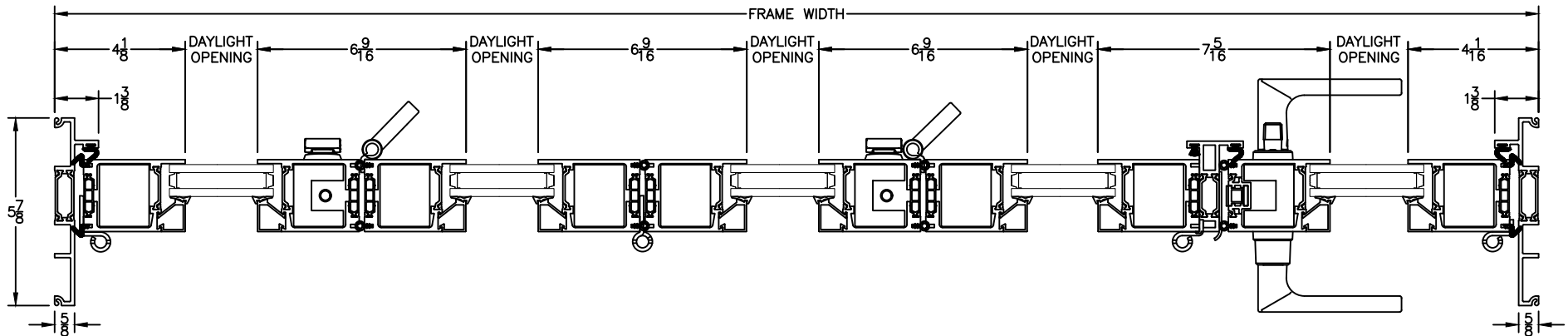
More Technical Documents can be found at [milgard.com/professionals](http://milgard.com/professionals)  
 Due to continual research and development, details may be changed at any time. ©2021 Milgard Mfg.

**BI-FOLD**  
**SERIES 11621**

Configuration 4R1L shown  
 Configuration 1L4R also available



**HEAD & SILL**



**JAMBS**