

Cross Section Drawing

Ultra French InSwing Door, 2 Panel Passive/Active, ADA 1 3/4" Contour Z Bar

CAD File Scale
NTS

View
Horizontal & Vertical

File Name
Ultra_3942_IS_low_sill_ADA_AP_1.75in_z-bar

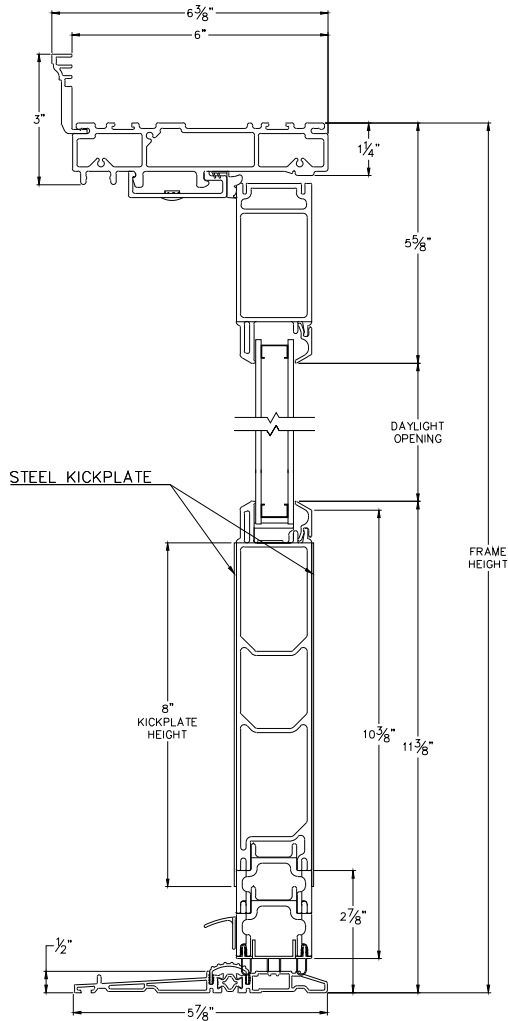
Units
Inch

Revision
06/2016

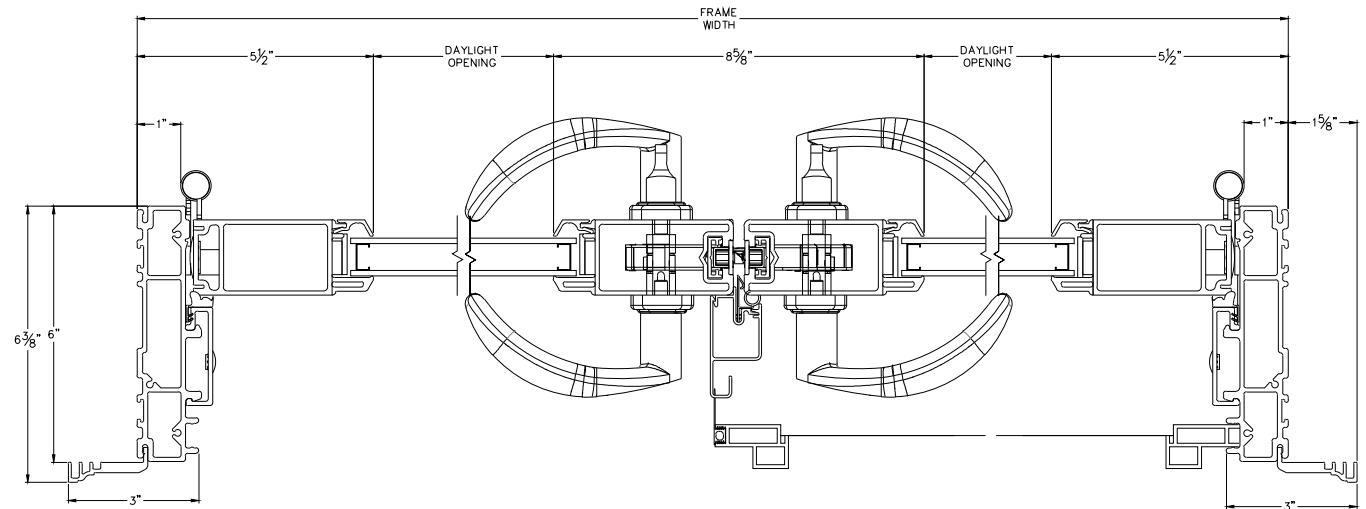
More Technical Documents can be found at milgard.com/professionals
Due to continual research and development, details may be changed at any time. ©2013 Milgard Mfg.

IN SWING SERIES 3942

Shown with ADA Compliant Handle



HEAD & SILL



JAMBS