

Cross Section Drawing

**Ultra French Inswing Door, 2 Panel Passive / Active, Panel Glaze Transom
1" Nailfin Setback**

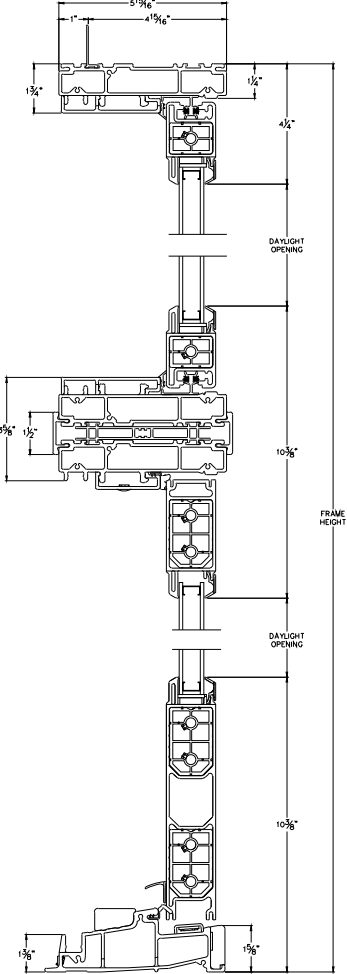


Clearly the best.

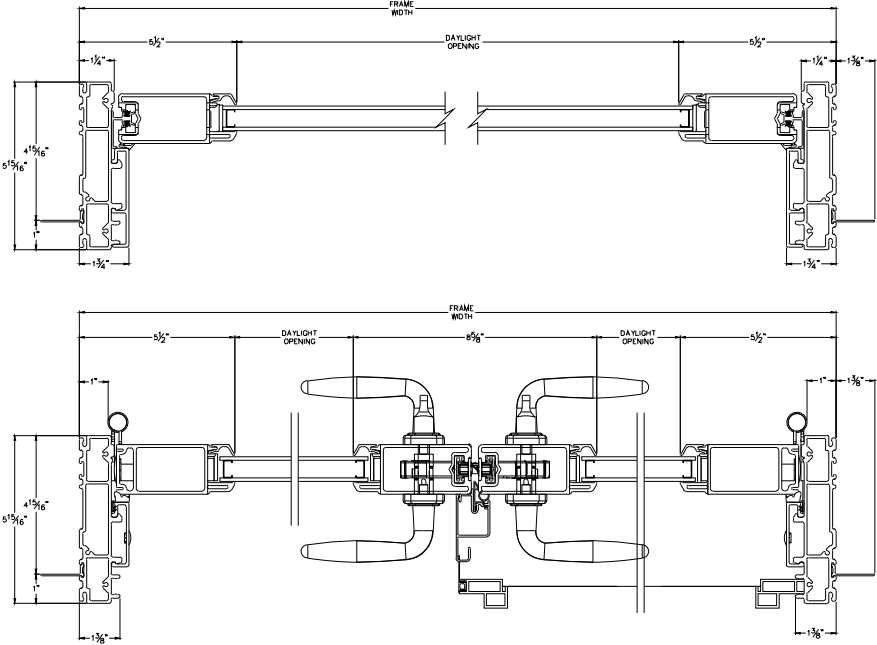
CAD File Scale	View	File Name	Units	Revision
NTS	Horizontal & Vertical	Ultra_3642U_IS_AP_1inNFS_4.563inFrame_PG_transom	Inch	05/2016

More Technical Documents can be found at milgard.com/professionals
Due to continual research and development, details may be changed at any time. ©2013 Milgard Mfg.

**INSWING
SERIES 3642**



HEAD & SILL



JAMBS