

Cross Section Drawing

Tuscany Outswing Door with SideLites 1 3/8" Nailfin Setback, 4 9/16" Wall Condition



CAD File Scale
NTS

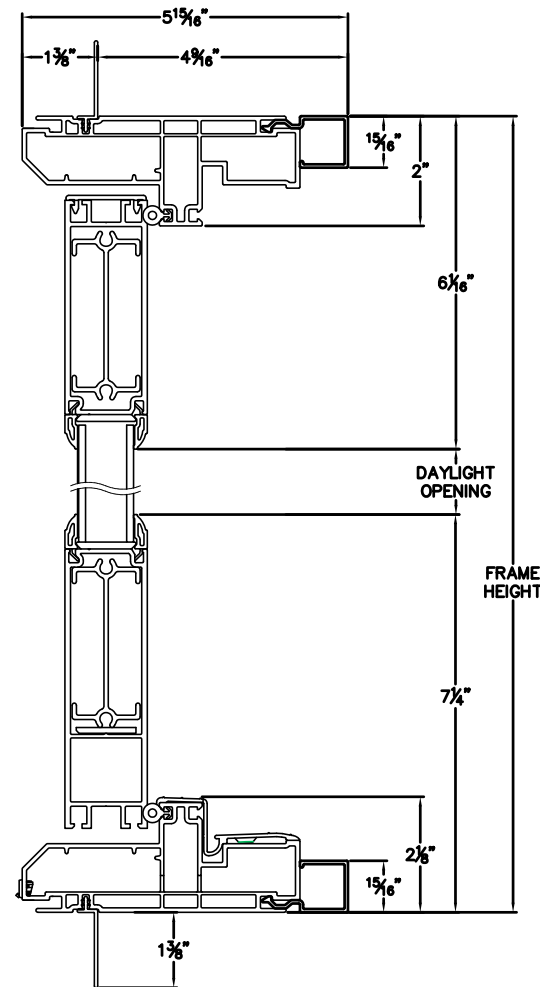
View
Horizontal & Vertical

File Name
Tuscany_8643_VOS_FXXF_1375in

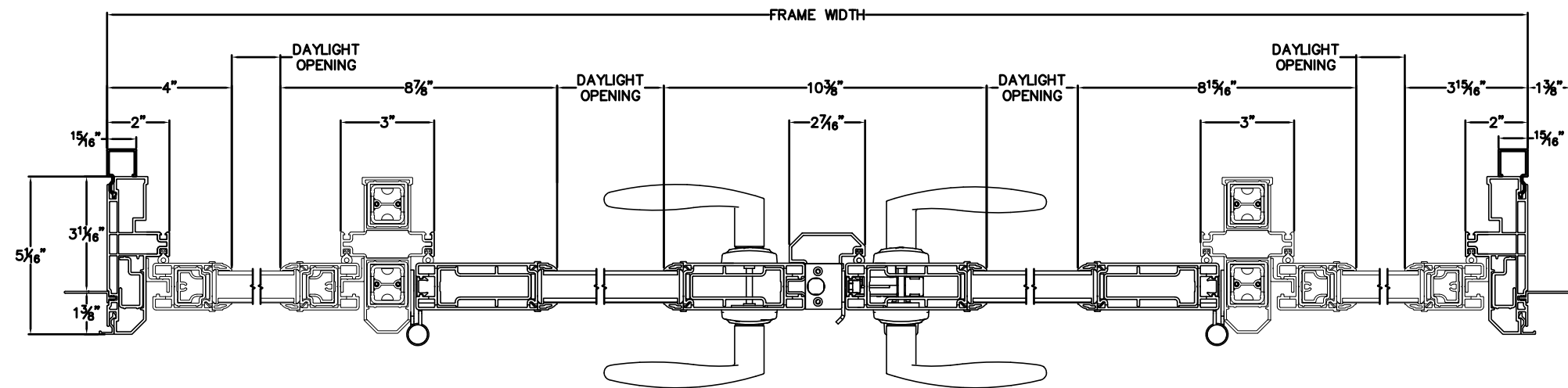
Units
Inch

More Technical Documents can be found at milgard.com/professionals
Due to continual research and development, details may be changed at any time. ©2013 Milgard Mfg.

OUTSWING DOOR SERIES 8643



HEAD & SILL



JAMBS