

**Cross Section Drawing**  
**Ultra Picture Window**  
**2 1/4" Contour Z-Bar**



CAD File Scale  
 NTS

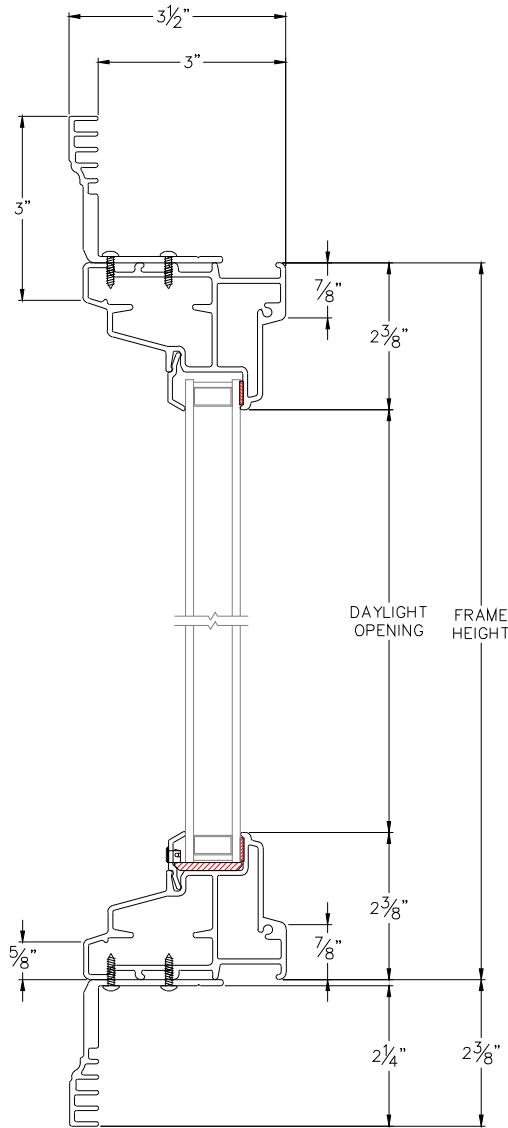
View  
 Horizontal & Vertical

File Name  
 3310U-05 PW

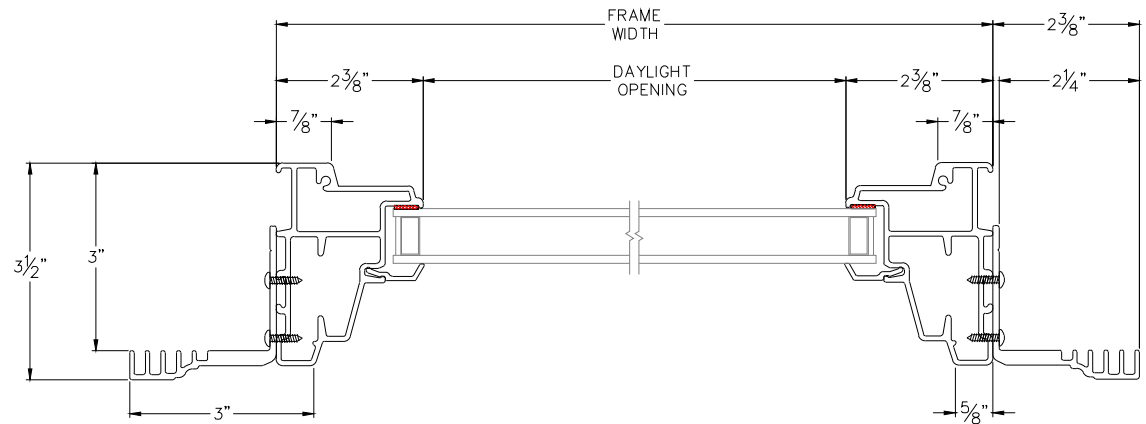
Units  
 Inch

More Technical Documents can be found at [milgard.com/professionals](http://milgard.com/professionals)  
 Due to continual research and development, details may be changed at any time. ©2013 Milgard Mfg.

**PICTURE WINDOW**  
**SERIES 3310**



**HEAD & SILL**



**JAMBS**