

Cross Section Drawing

Ultra French Rail Sliding Door, 3 Panel OXO 1 3/4" Contour Z Bar



Clearly the best

CAD File Scale
NTS

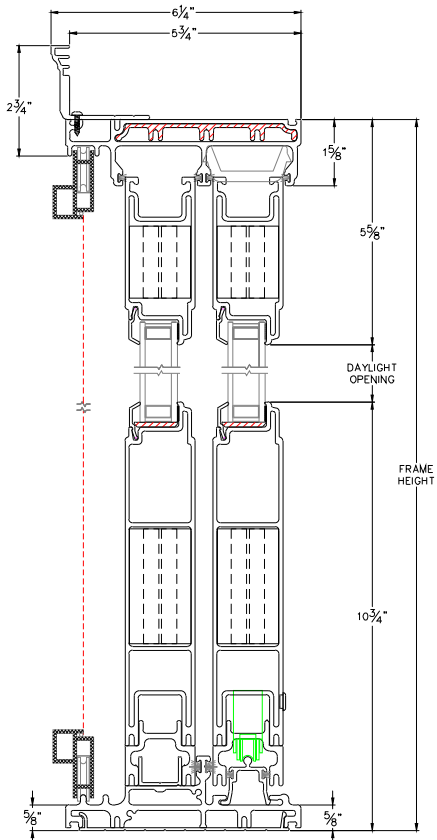
View
Horizontal & Vertical

File Name
3626U-04 FS-OXO

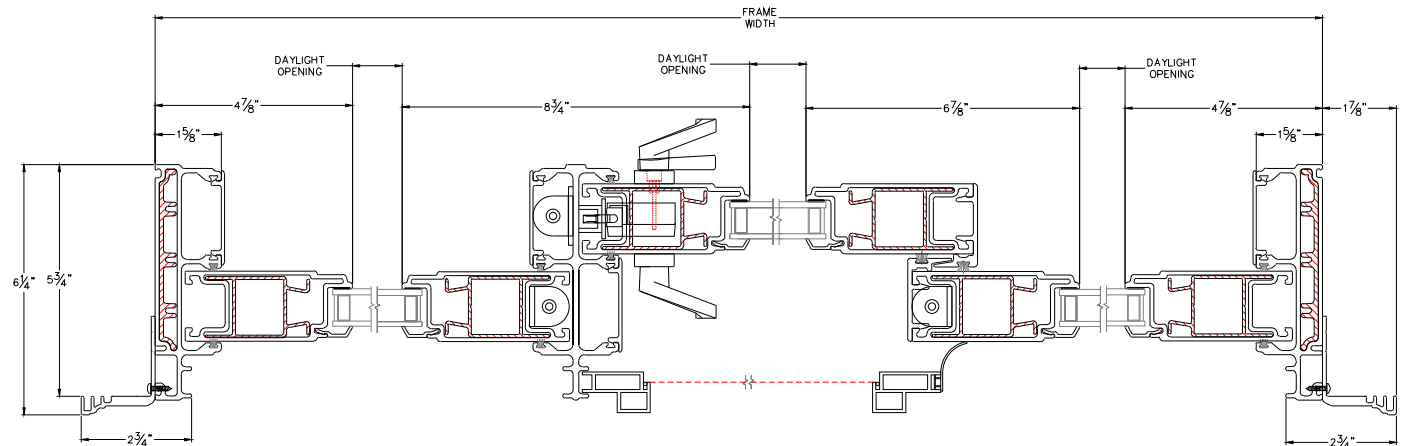
Units
Inch

More Technical Documents can be found at milgard.com/professionals
Due to continual research and development, details may be changed at any time. ©2013 Milgard Mfg.

FRENCH SLIDER SERIES 3626



HEAD & SILL



JAMBS