

Cross Section Drawing
Ultra Full Awning Window
1 3/4" Contour Z-Bar



CAD File Scale
 NTS

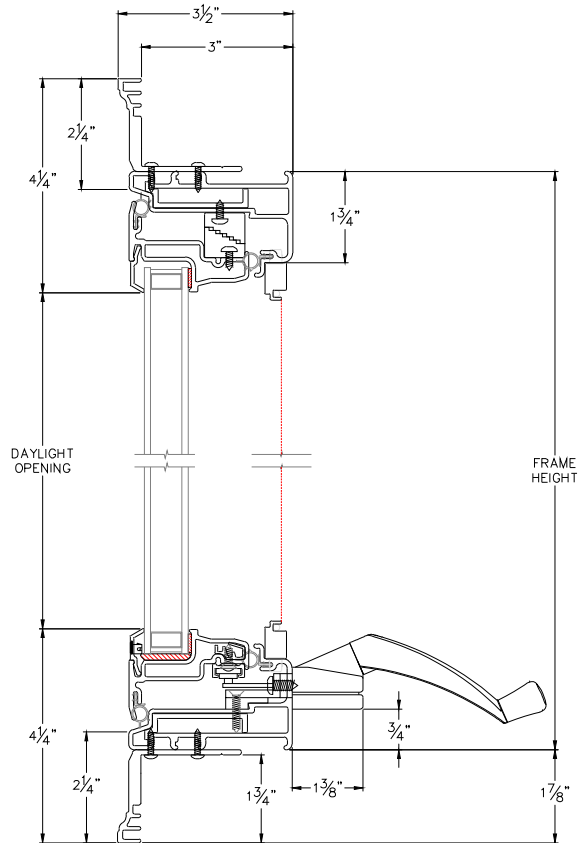
View
 Horizontal & Vertical

File Name
 3410U-04 FA

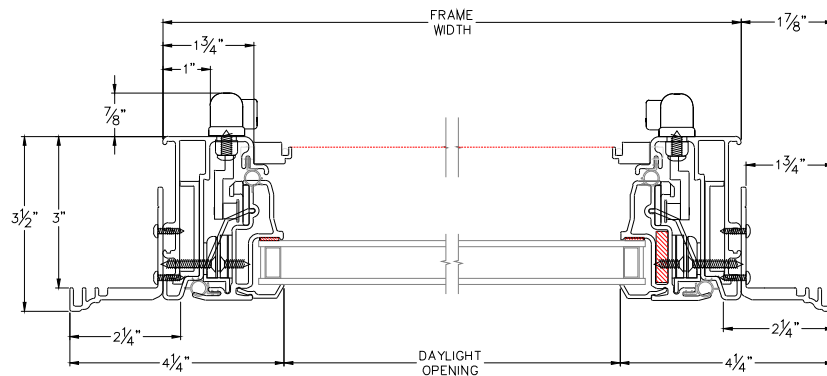
Units
 Inch

More Technical Documents can be found at milgard.com/professionals
 Due to continual research and development, details may be changed at any time. ©2013 Milgard Mfg.

AWNING
SERIES 3410



HEAD & SILL



JAMBS