

Cross Section Drawing

Tuscany Double Hung Window

1 3/8" Fin Setback Accessory Groove Frame, 3/4" Flat J Channel



CAD File Scale
NTS

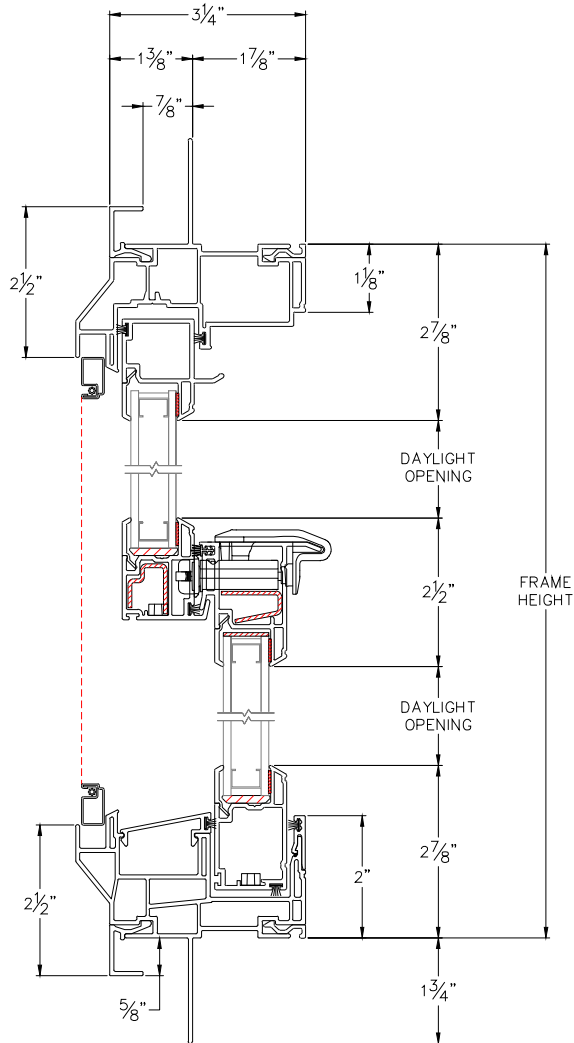
View
Horizontal & Vertical

File Name
8225T-04 DH

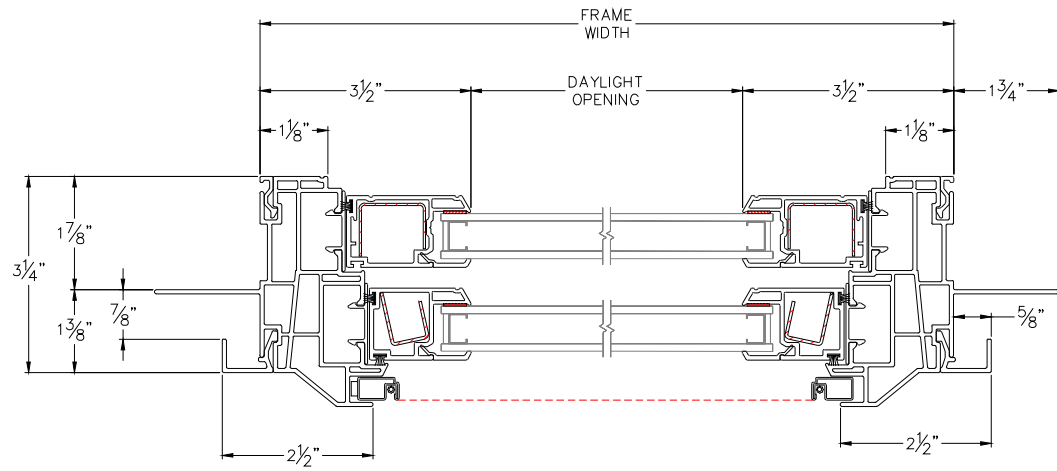
Units
Inch

More Technical Documents can be found at milgard.com/professionals
Due to continual research and development, details may be changed at any time. ©2013 Milgard Mfg.

DOUBLE HUNG SERIES 8225



HEAD & SILL



JAMBS