

Cross Section Drawing

Tuscany Full Awning Window, Fixed 1" Fin Setback w/Stucco Key



Clearly the best.™

CAD File Scale
NTS

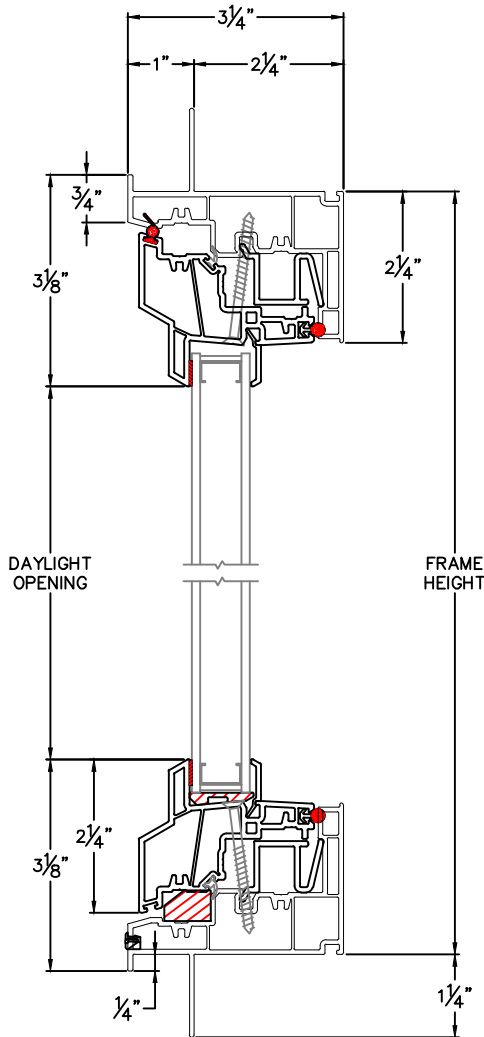
View
Horizontal & Vertical

File Name
8431T-01 FA

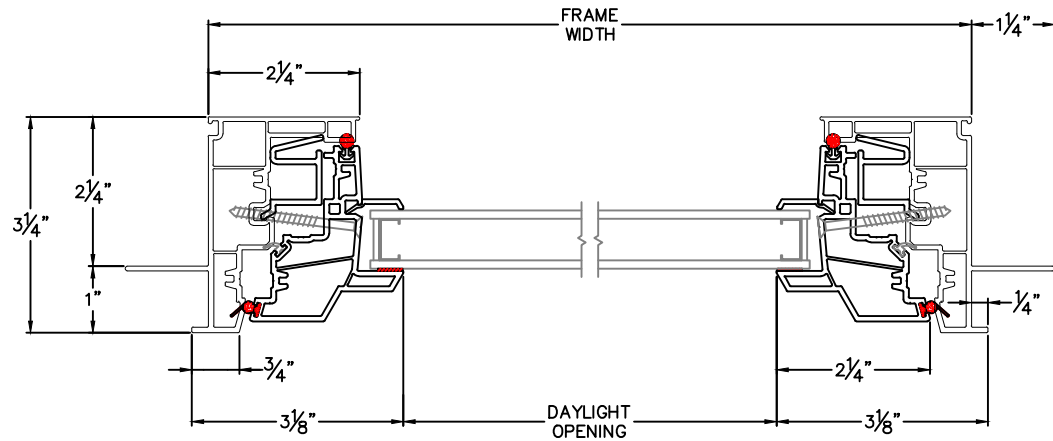
Units
Inch

More Technical Documents can be found at milgard.com/professionals
Due to continual research and development, details may be changed at any time. ©2013 Milgard Mfg.

AWNING SERIES 8431



HEAD & SILL



JAMBS