

## Cross Section Drawing

### Tuscany Full Awning Window

### 1 3/8" Fin Setback Accessory Groove Frame, 1" Contour J Channel



*Clearly the best.™*

CAD File Scale  
NTS

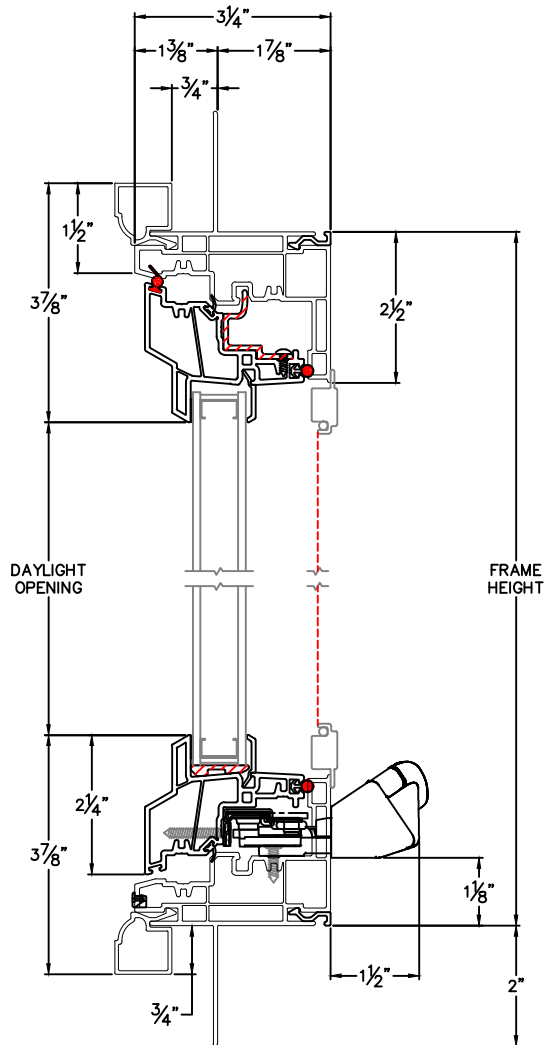
View  
Horizontal & Vertical

File Name  
8440T-01 FA

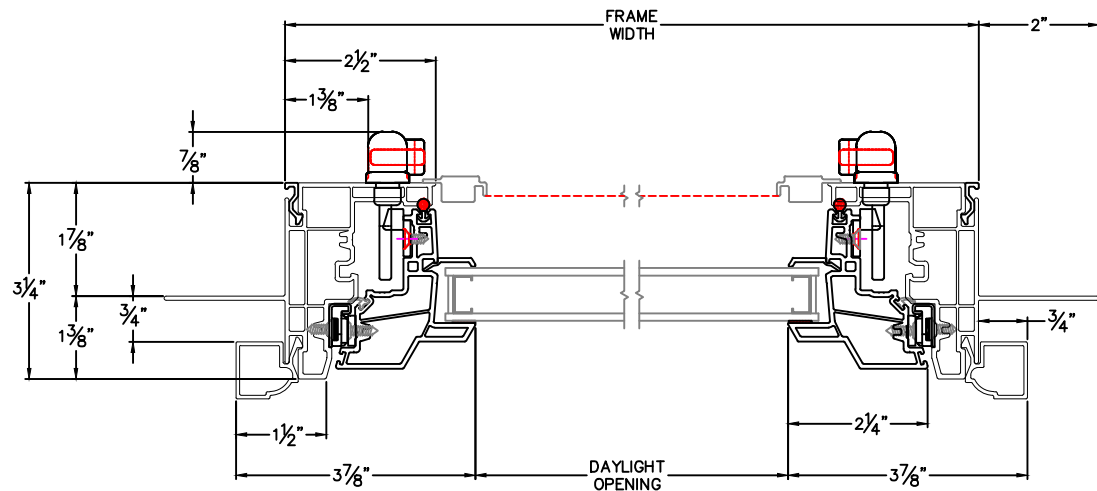
Units  
Inch

More Technical Documents can be found at [milgard.com/professionals](http://milgard.com/professionals)  
Due to continual research and development, details may be changed at any time. ©2013 Milgard Mfg.

## AWNING SERIES 8440



HEAD & SILL



JAMBS