

# Cross Section Drawing

## TIE Aluminum Bottom Awning 1 5/16" Nailfin Setback Frame



Clearly the best.™

CAD File Scale  
NTS

View  
Horizontal & Vertical

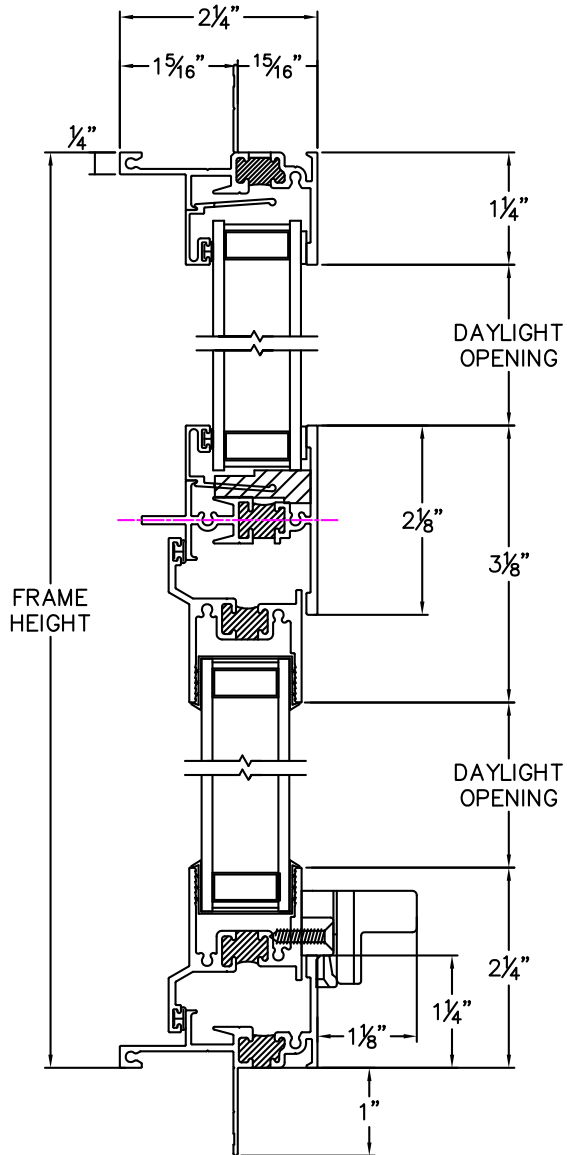
File Name  
Aluminum\_TIE\_920C\_BA\_1in

Units  
Inch

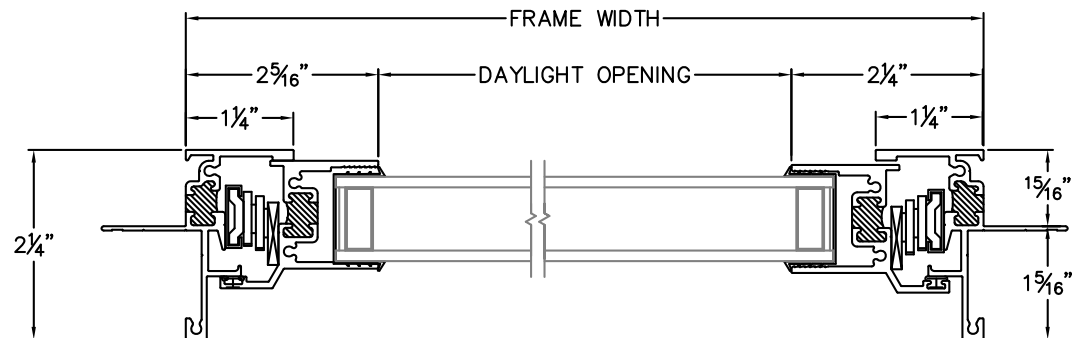
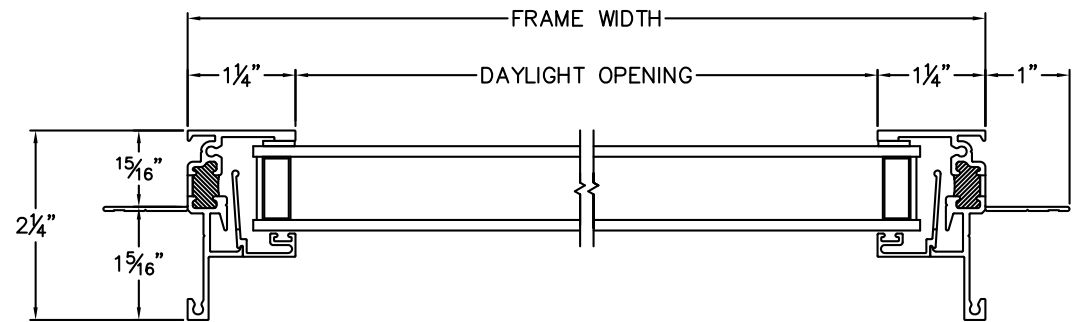
More Technical Documents can be found at [milgard.com/professionals](http://milgard.com/professionals)

Due to continual research and development, details may be changed at any time. ©2013 Milgard Mfg.

### AWNING SERIES 920C



HEAD & SILL



JAMBS