

Cross Section Drawing

Tuscany Inswing Door 1 3/8" Nailfin Setback, 6 9/16" Wall Condition



Clearly the best.™

CAD File Scale
NTS

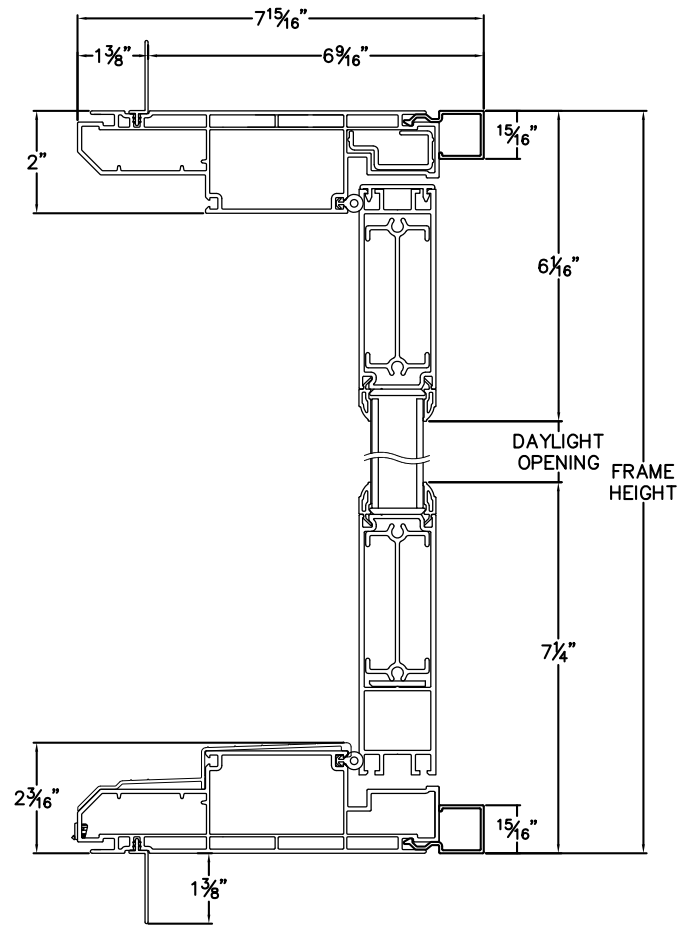
View
Horizontal & Vertical

File Name
Tuscany_8662_VIS_X_1375in

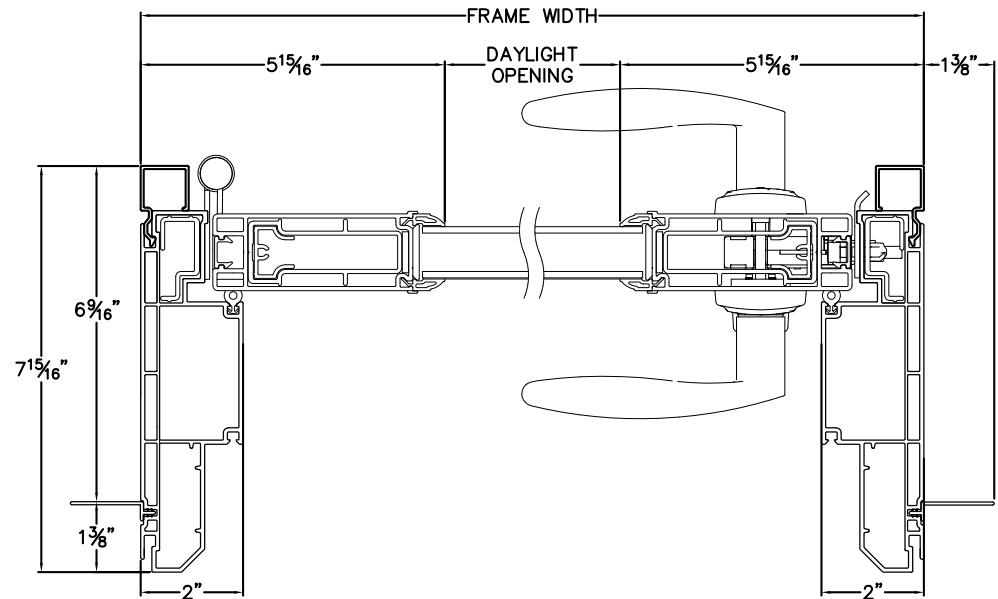
Units
Inch

More Technical Documents can be found at milgard.com/professionals
Due to continual research and development, details may be changed at any time. ©2013 Milgard Mfg.

INSWING DOOR SERIES 8662



HEAD & SILL



JAMBS