

Cross Section Drawing

StyleLine Full Awning Window

Stucco Key Frame, 1.375" Nailfin Set Back

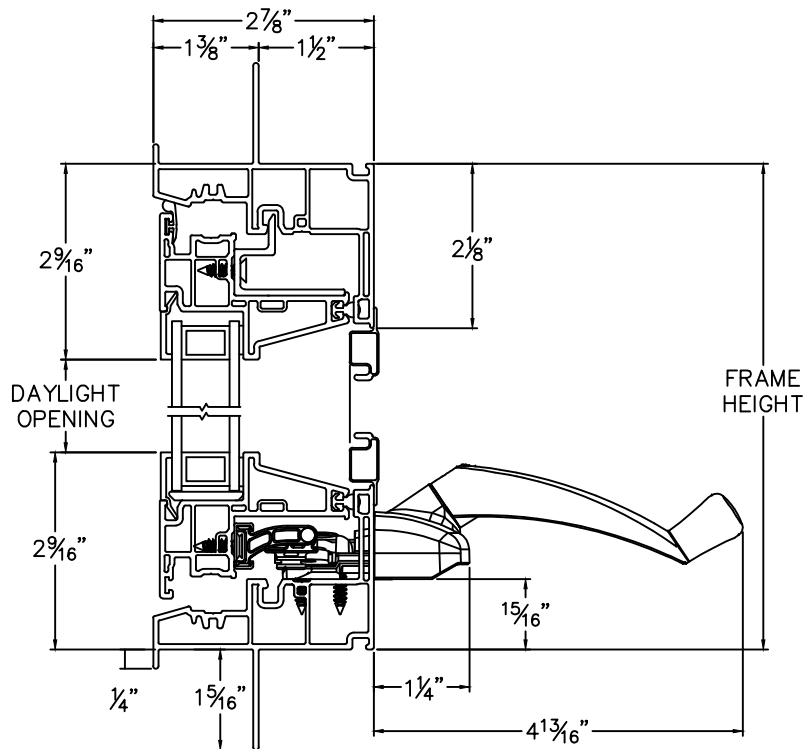


Clearly the best.™

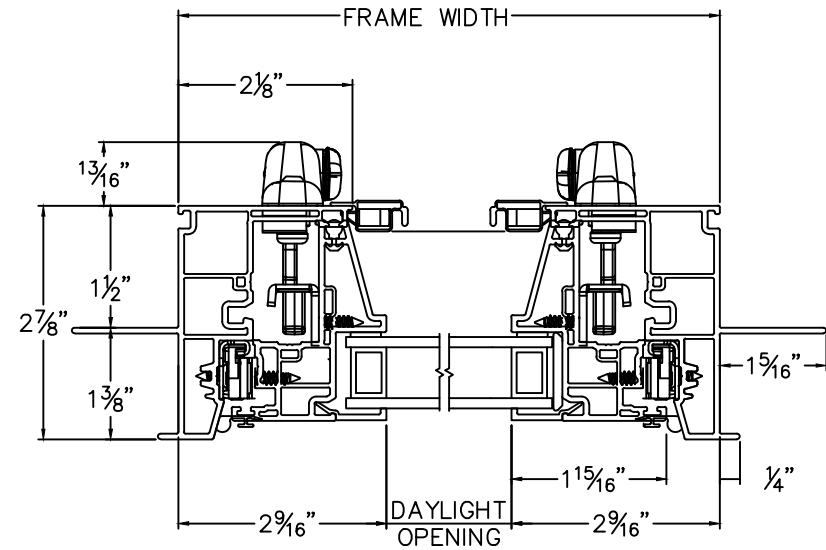
CAD File Scale	View	File Name	Units	Revision
NTS	Horizontal & Vertical	StyleLine_6411_FA_1.375in_stucco	Inch	11/2021

More Technical Documents can be found at milgard.com/professionals
 Due to continual research and development, details may be changed at any time. ©2013 Milgard Mfg.

AWNING SERIES 6411



HEAD & SILL



JAMBS