

Cross Section Drawing

TIE Aluminum Awning Window 1⁵/₁₆" Nailfin Setback Frame



Clearly the best.™

CAD File Scale
NTS

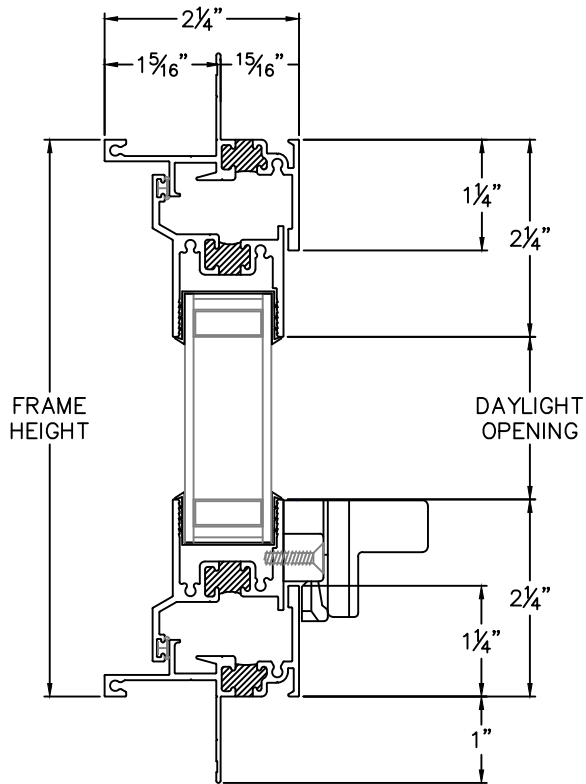
View
Horizontal & Vertical

File Name
Aluminum_TIE_920_FA_1.313in

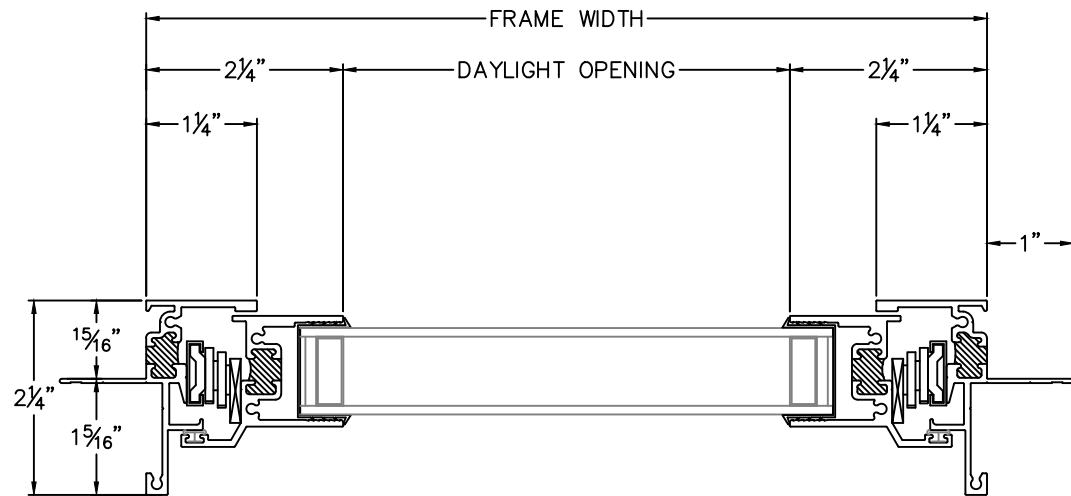
Units
Inch

More Technical Documents can be found at milgard.com/professionals
Due to continual research and development, details may be changed at any time. ©2013 Milgard Mfg.

AWNING SERIES 920



HEAD & SILL



JAMBS